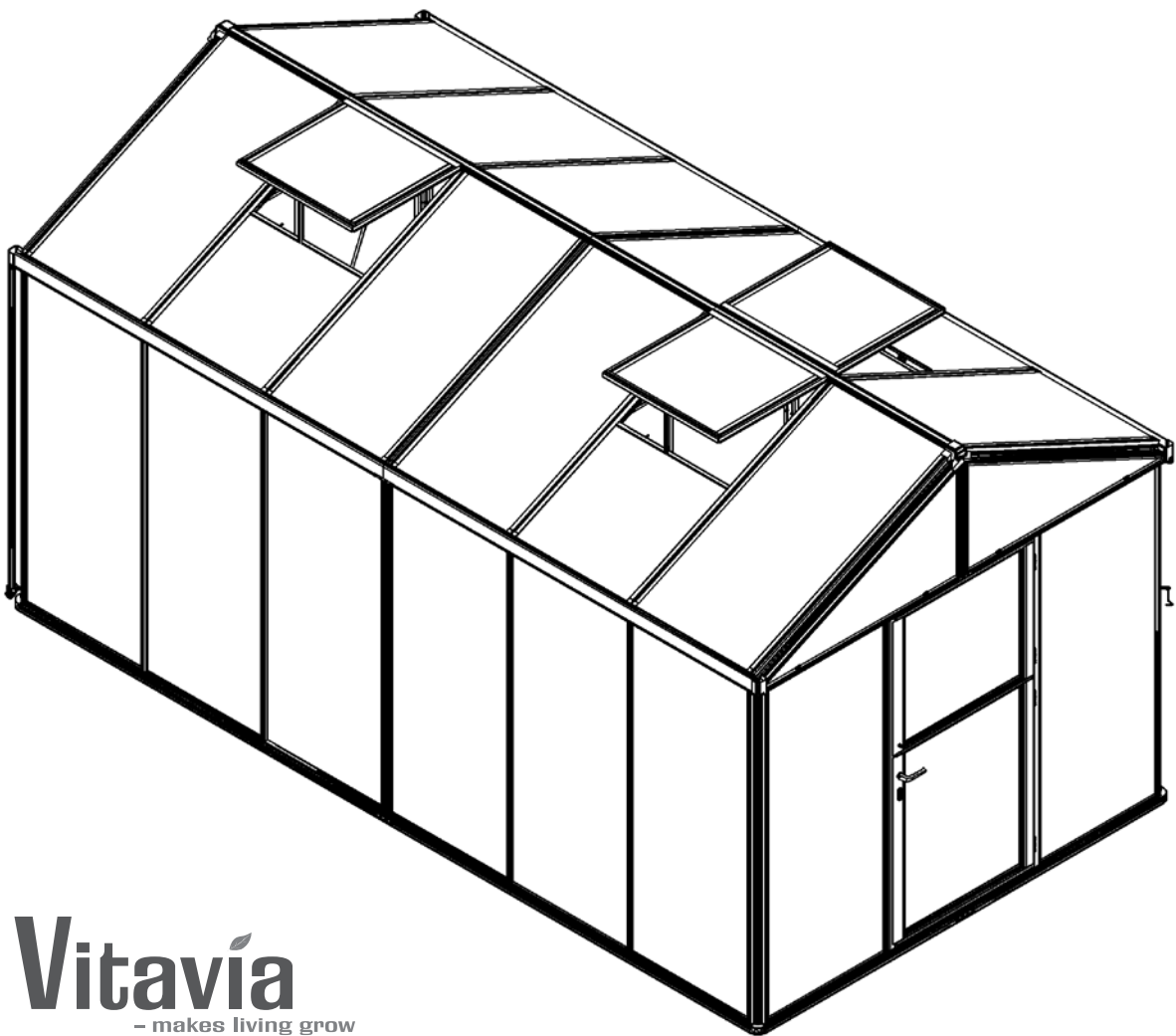


EN Assembly instructions



**Vitavia**  
- makes living grow

---

**VM0009-Z2**  
**6200, 8100, 10000, 11900, 13800, 15700**

**Dear Customer,**

Thank you for choosing our quality product.  
We feel confident that it will bring you a lot of pleasure.

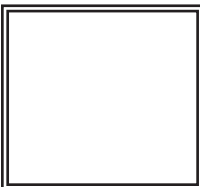


**Please read these instructions carefully and completely before assembling your greenhouse.**

• Contents / Symbols	Page 2
• Recommendations	Page 3
• Safety Notice	Page 4
• Maintenance	Page 5
• Part List Summary	Page 6
• Part list Pack 1/1	Pages 7-19
• Part list Pack 1/2	Page 20
• Part list Pack 1F	Pages 21-25
• Part list Pack 2	Pages 26-30
• Part list Pack 3	Pages 31-35
• Part list Pack 4	Pages 36-40
• Part list Pack 5 - Roof Vent	Pages 41-42
• Foundation	Pages 44-45
<b>Assembly</b>	
• Step 1 Sill Bars / Corner Posts	Pages 46-47
• Step 2 Middle Bars / Eave Angles	Pages 48-49
• Step 3 Middle Bars	Pages 50-51
• Step 4 Roof	Pages 52-55
• Step 5 Roof Vents	Pages 56-57
• Step 6 Doors	Pages 58-61
• Step 7 Glazing	Pages 62-71
• Step 8 Finishing	Pages 72-73
• Step 9 Down pipes	Pages 74-75



**Diagrams in a single frame show the view from inside the greenhouse.**



**Diagrams in a double frame show the view from outside the greenhouse.**



**Important Tip, please take note:**



**Sharp edges and corners can cause injury. Always wear protective glasses, gloves, shoes and headgear when handling the aluminium profiles, glass and polycarbonate sheets. Broken glass is a safety hazard – always clear up immediately and dispose of with care.**

### **Note:**

The product you have purchased is intended **only** for the growing of plants and should **only** be used for this purpose. When used for other purposes we will take no responsibility.

### **Site Selection**

Always try to select a sunny location, sheltered from the wind as much as possible. The site selection is important to ensure best results when cultivating your plants and for the safety of your house.

### **Before you begin:**

Before assembling your new greenhouse, please check that all parts in the provided lists are included. Please take each bundle out of the packaging in order to identify the parts better.

The part lists are sorted according to the carton in which they are delivered.

It is important that the opened bundles do not get mixed with one another.

If something is missing please contact your retailer.

If you find that a part does not fit as shown **do not** make any changes to the part. Please contact your retailer, who will guide you to the relevant customer service partner.

Our policy is one of continuous improvement and we reserve the right to change the specifications without prior notice. This can lead to small differences between your product and that shown in this manual.

### **The following tools are required:**

- **Screw drivers (Normal and Crosshead PH2)**
- **Rubber hammer**
- **2 x 1.8m ladders**
- **10mm combination spanner**
- **Spirit level**
- **Craft knife**
- **Accu-drill with adjustable torque**

# Safety Notice

- **Sharp edges and corners can cause injury. Always wear protective glasses, gloves, shoes and headgear when handling the aluminium profiles, glass and polycarbonate sheets. Broken glass is a safety hazard – always clear up immediately and dispose of with care.**
- **It is recommended that this greenhouse is assembled by two to three people.**
- **Important! Danger of crushing during assembly.**
- **The greenhouse should not be assembled during strong wind or storm conditions.**
- **The greenhouse must always be anchored.**
- **Please check the tightness of all nuts and bolts 2 weeks after completing the assembly.**
- **In the event of high wind conditions, close the doors and all vents.**
- **In the event of heavy snowfall, clear the roof of the building or take suitable measures to support the roof. Heat the building in winter.**



**Please read these instructions carefully and completely before assembling your greenhouse.**

The greenhouse should be thoroughly washed with a gentle detergent occasionally. The glass can be cleaned with glass cleaner. Please check that the cleaning agents used do not react aggressively with aluminium or plastic.

If you are unsure if the cleaning agent is appropriate please test it on a small area out of direct sunlight.



**Note:**

**For the complete protection of your new greenhouse, we advise you to include it in your house insurance. Please take note of possible building rules relating to the positioning of greenhouses.**

**Please stick the included greenhouse model label onto the door bar after successfully assembling this product. This information is important in the event that replacement parts are later required.**

**Please keep these Assembly Instructions in a safe place, for future reference!**



**Note:**

**Please follow exactly the instructions and tips provided in this instruction manual to avoid any difficulties. Should you find a potential failure in this manual, or find a point not clearly explained, please contact your retailer.**

We appreciate your suggestions and support.

A full range of greenhouse accessories, to help you make the most of this product, is available from your stockist. Please make yourself aware of these.

# Part List

Before beginning the assembly of your new greenhouse, please check that all parts in the following part lists are included. Please take each bundle out of the packaging to identify the parts more easily.

It is important that the opened bundles do not get mixed with one another.

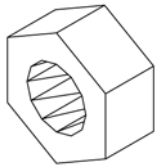
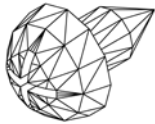

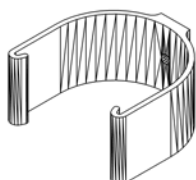

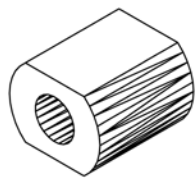

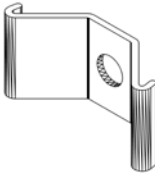

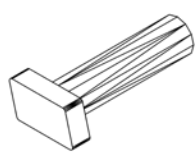



If something is missing please contact your retailer.

Model VM0009-Z2	Pack 1/1 - 1/6 ZE2	Pack 1/1 - 2/6 ZE2	Pack 1/1 - 3/6 ZE2	Pack 1/1 - 4/6	Pack 1/1 - 5/6
6200	1x	1x	1x	1x	1x
8100	1x	1x	1x	1x	1x
10000	1x	1x	1x	1x	1x
11900	1x	1x	1x	1x	1x
13800	1x	1x	1x	1x	1x
15700	1x	1x	1x	1x	1x

Model VM0009-Z2	Pack 1/1 - 6/6	Pack 1/2		Pack 1F	Pack 2
6200	1x	-		1x	1x
8100	1x	1x		-	2x
10000	1x	1x		-	1x
11900	1x	1x		-	-
13800	1x	2x		-	-
15700	1x	3x		-	-

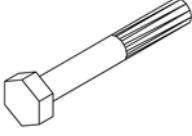
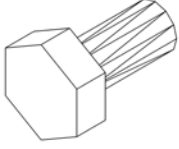



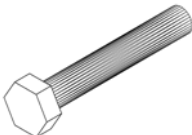
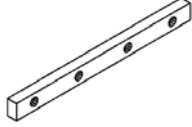


Model VM0009-Z2	Pack 3 - 1/2	Pack 3 - 2/2	Pack 4 - 1/2	Pack 4 - 2/2	Pack 5
6200	-	-	-	-	-
8100	-	-	-	-	-
10000	1x	1x	-	-	-
11900	2x	2x	-	-	1x
13800	1x	1x	1x	1x	1x
15700	-	-	2x	2x	1x

# Part List

Pack 1/1 - 1/6 ZE2					Required Quantity / Model						
Item No.	Part	Section Ref.	Size mm	Quantity in Carton	6200	8100	10000	11900	13800	15700	Profile
1002		9	M6	2x	2x	2x	2x	2x	2x	2x	
1006		4b 5 6 9	3.5x6	22x	32x	32x	32x	38x	38x	38x	
1402		9	36	2x	2x	2x	2x	2x	2x	2x	
1403		9	20	2x	2x	2x	2x	2x	2x	2x	
1405		9	15	2x	2x	2x	2x	2x	2x	2x	
1409		9	20	2x	2x	2x	2x	2x	2x	2x	
1412		9	M6x22	2x	2x	2x	2x	2x	2x	2x	
6090	PVC 	7b 7c	56000	1x	68500	77000	85500	94000	103000	112000	
7048		4b	M6x80	2x	-	-	1x	2x	2x	2x	

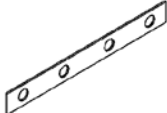
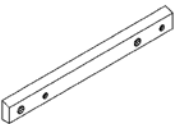
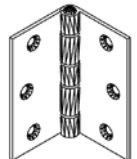
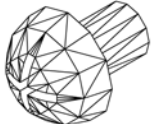
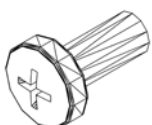
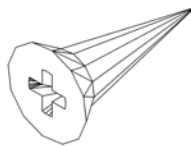
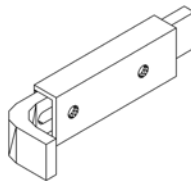
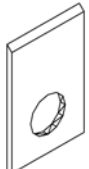
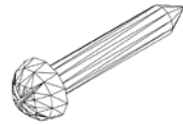
VM0009-Z2

# Part List

Pack 1/1 - 1/6 ZE2					Required Quantity / Model						
Item No.	Part	Section Ref.	Size mm	Quantity in Carton	6200	8100	10000	11900	13800	15700	Profile
7050		7b	M6x42	<b>92x</b>	114x	126x	138x	150x	162x	174x	
7052		2, 3 4, 5 6, 7a	M6x12	<b>96x</b>	124x	146x	168x	194x	216x	238x	
7053		1, 2 3, 4 5, 6 7, 8	M6x4	<b>223x</b>	273x	307x	341x	379x	413x	447x	
7054		4b 6	M6x100	<b>8x</b>	12x	12x	12x	14x	14x	14x	
7055		4b 6	M6x10 x14	<b>8x</b>	12x	12x	12x	14x	14x	14x	
7058		7c	M6x38	<b>22x</b>	22x	22x	22x	22x	22x	22x	
7061		1 4a 7a	117	<b>9x</b>	13x	13x	15x	17x	17x	17x	
7062		4	235	<b>4x</b>	5x	6x	7x	8x	9x	10x	
7063		3	255	<b>4x</b>	6x	8x	10x	12x	14x	16x	

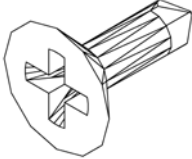
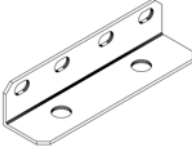

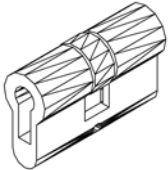
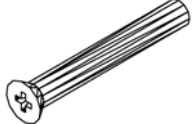
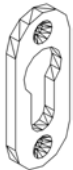
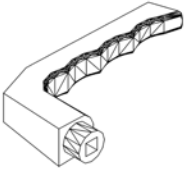

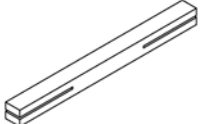
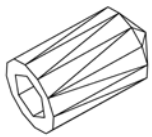


# Part List

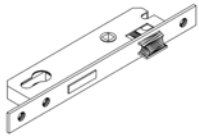
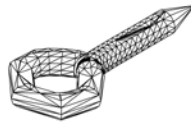
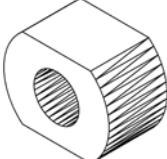


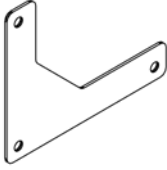
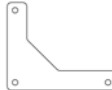
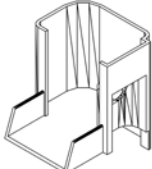
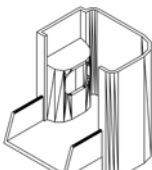
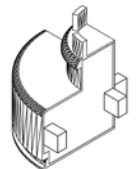
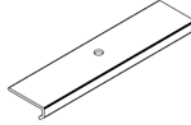

Pack 1/1 - 1/6 ZE2					Required Quantity / Model						
Item No.	Part	Section Ref.	Size mm	Quantity in Carton	6200	8100	10000	11900	13800	15700	Profile
7064		1 4a 7a	117	<b>1x</b>	5x	5x	5x	5x	5x	5x	
7065		4a	140	<b>2x</b>	2x	2x	2x	2x	2x	2x	
7066		6	75	<b>4x</b>	4x	4x	4x	4x	4x	4x	
7080		1 4a 7a	M6x8	<b>36x</b>	52x	52x	60x	68x	68x	68x	
7081		4a	M5x13	<b>4x</b>	4x	4x	4x	4x	4x	4x	
7082		6b	3.9x13	<b>4x</b>	4x	4x	4x	4x	4x	4x	
7085		6a	95	<b>1x</b>	1x	1x	1x	1x	1x	1x	
7086		6b	23	<b>1x</b>	1x	1x	1x	1x	1x	1x	
7087		6a	5x30	<b>2x</b>	2x	2x	2x	2x	2x	2x	

VM0009-Z2

# Part List

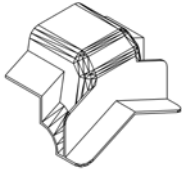
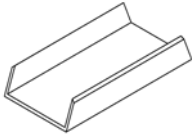

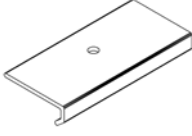

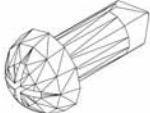

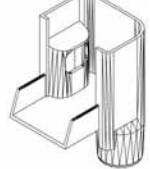
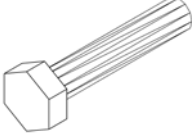
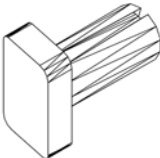
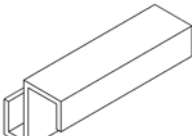

Pack 1/1 - 1/6 ZE2					Required Quantity / Model						
Item No.	Part	Section Ref.	Size mm	Quantity in Carton	6200	8100	10000	11900	13800	15700	Profile
7088		6 8	3.9x13	<b>32x</b>	30x	30x	30x	30x	30x	30x	
7095		1	117	<b>8x</b>	8x	8x	10x	12x	12x	12x	
7101		6b	62	<b>1x</b>	1x	1x	1x	1x	1x	1x	
7102		6b	M5x35	<b>1x</b>	1x	1x	1x	1x	1x	1x	
7103		6b	65	<b>2x</b>	2x	2x	2x	2x	2x	2x	
7104		6b	125	<b>2x</b>	2x	2x	2x	2x	2x	2x	
7106		6b	Ø 27	<b>2x</b>	2x	2x	2x	2x	2x	2x	
7107		6b	100	<b>1x</b>	1x	1x	1x	1x	1x	1x	
7108		6b	4.7x8	<b>2x</b>	2x	2x	2x	2x	2x	2x	

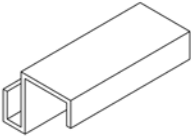

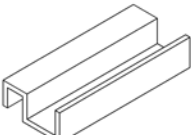

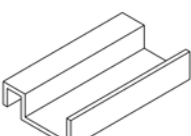

# Part List

Pack 1/1 - 1/6 ZE2					Required Quantity / Model						
Item No.	Part	Section Ref.	Size mm	Quantity in Carton	6200	8100	10000	11900	13800	15700	Profile
7109		6b	240	<b>1x</b>	1x	1x	1x	1x	1x	1x	
7111		8	35	<b>1x</b>	1x	1x	1x	1x	1x	1x	
7112		8	8	<b>1x</b>	1x	1x	1x	1x	1x	1x	
7113		8	100	<b>1x</b>	1x	1x	1x	1x	1x	1x	
7114		6	138	<b>4x</b>	4x	4x	4x	4x	4x	4x	
7128		8	71	<b>1x</b>	1x	1x	1x	1x	1x	1x	
7129		8	71	<b>1x</b>	1x	1x	1x	1x	1x	1x	
7200		1	62	<b>4x</b>	4x	4x	4x	4x	4x	4x	
7240		7a	88	<b>2x</b>	2x	2x	2x	2x	2x	2x	

VM0009-Z2

# Part List

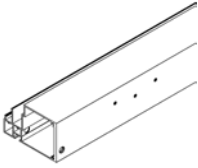

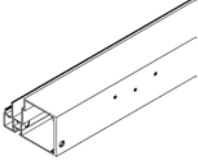

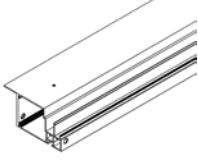

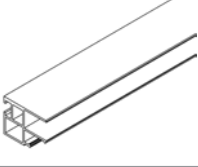

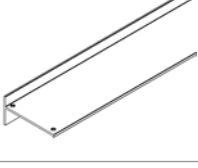

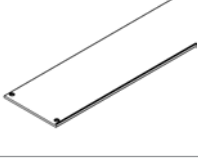

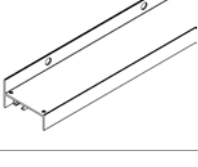

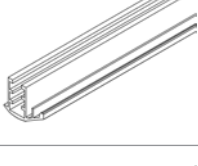



Pack 1/1 - 1/6 ZE2					Required Quantity / Model						
Item No.	Part	Section Ref.	Size mm	Quantity in Carton	6200	8100	10000	11900	13800	15700	Profile
7266		8	91	<b>2x</b>	2x	2x	2x	2x	2x	2x	
7292		7a	100	<b>2x</b>	2x	2x	2x	2x	2x	2x	
7342		7a	45	<b>4x</b>	4x	4x	4x	4x	4x	4x	
7349		7a* 8	3.9x10	<b>6x</b>	38x	50x	62x	74x	86x	98x	
7370		8	71	<b>1x</b>	1x	1x	1x	1x	1x	1x	
7371		8	71	<b>1x</b>	1x	1x	1x	1x	1x	1x	
7390		2	M6x30	<b>4x</b>	4x	4x	4x	4x	4x	4x	
7399		1 8	M6x12	<b>9x</b>	9x	9x	9x	9x	9x	9x	
7406		7b	30	<b>6x</b>	12x	14x	16x	18x	20x	22x	

Pack 1/1 - 1/6 ZE2					Required Quantity / Model						
Item No.	Part	Section Ref.	Size mm	Quantity in Carton	6200	8100	10000	11900	13800	15700	Profile
7407		7b	30	<b>6x</b>	12x	14x	16x	18x	20x	22x	
7408		7b	30	<b>8x</b>	8x	8x	8x	8x	8x	8x	
7409		7b	30	<b>8x</b>	8x	8x	8x	8x	8x	8x	

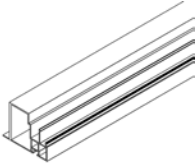
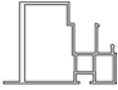
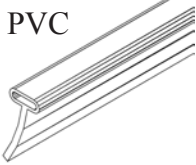

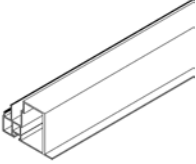
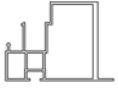
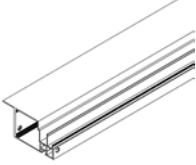

# Part List

VM0009-Z2

# Part List


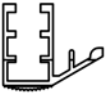
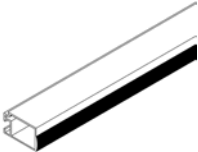

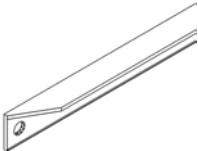

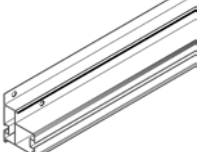

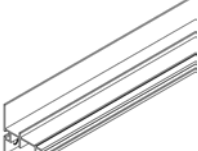
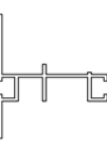
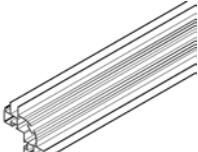

Pack 1/1 - 2/6 ZE2					Required Quantity / Model						Profile
Item No.	Part	Section Ref.	Size mm	Quantity in Carton	6200	8100	10000	11900	13800	15700	
7015		6b	1000	1x	1x	1x	1x	1x	1x	1x	
7017		6a	717	1x	1x	1x	1x	1x	1x	1x	
7018		6a	717	1x	1x	1x	1x	1x	1x	1x	
7022		6a 6b	708	4x	4x	4x	4x	4x	4x	4x	
7023		6b	850	1x	1x	1x	1x	1x	1x	1x	
7024		6a	850	1x	1x	1x	1x	1x	1x	1x	
7025		6a 6b	850	2x	2x	2x	2x	2x	2x	2x	
7031		7c	996	2x	2x	2x	2x	2x	2x	2x	
7035		7c	713	2x	2x	2x	2x	2x	2x	2x	

# Part List

Pack 1/1 - 2/6 ZE2					Required Quantity / Model						
Item No.	Part	Section Ref.	Size mm	Quantity in Carton	6200	8100	10000	11900	13800	15700	Profile
7045		2	1775	<b>1x</b>	1x	1x	1x	1x	1x	1x	
7083	PVC 	6a 6b	900	<b>2x</b>	2x	2x	2x	2x	2x	2x	
7115		2	1775	<b>1x</b>	1x	1x	1x	1x	1x	1x	
7116		6b	1000	<b>1x</b>	1x	1x	1x	1x	1x	1x	

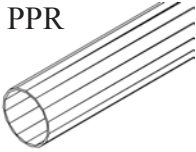
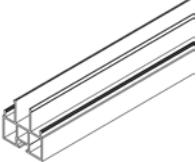
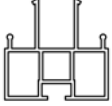
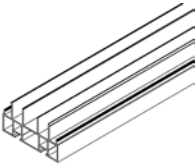

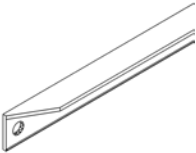

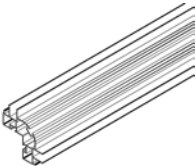

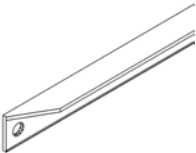

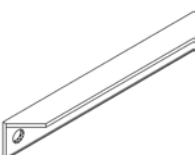

VM0009-Z2

# Part List

Pack 1/1 - 3/6 ZE2					Required Quantity / Model						Profile
Item No.	Part	Section Ref.	Size mm	Quantity in Carton	6200	8100	10000	11900	13800	15700	
7034		7b 7c	733	<b>6x</b>	14x	16x	18x	20x	22x	24x	
7036		2	922	<b>1x</b>	1x	1x	1x	1x	1x	1x	
7069		3	1924	<b>2x</b>	4x	4x	4x	4x	4x	4x	
7133		1	2460	<b>2x</b>	2x	2x	2x	2x	2x	2x	
7134		2	2459	<b>2x</b>	2x	2x	2x	2x	2x	2x	
7236		1	1775	<b>2x</b>	4x	4x	4x	4x	4x	4x	

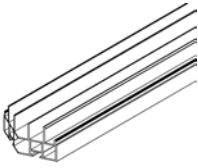

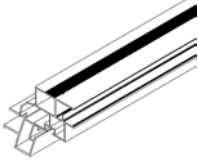

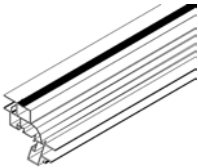

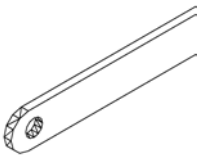

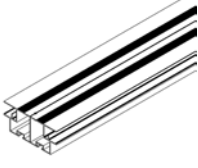



# Part List


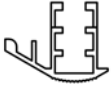






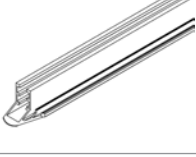

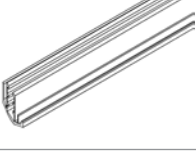







Pack 1/1 - 4/6					Required Quantity / Model						
Item No.	Part	Section Ref.	Size mm	Quantity in Carton	6200	8100	10000	11900	13800	15700	Profile
1415	PPR 	9	1750	2x	2x	2x	2x	2x	2x	2x	
7005		3	1775	2x	4x	6x	8x	10x	12x	14x	
7006		2	1775	3x	3x	3x	3x	3x	3x	3x	
7069		3	1924	2x	4x	4x	4x	4x	4x	4x	
7236		1	1775	2x	4x	4x	4x	4x	4x	4x	
7269		3	1926	4x	4x	4x	4x	4x	4x	4x	
7295		4a	1531.5	4x	4x	4x	4x	4x	4x	4x	

VM0009-Z2

# Part List

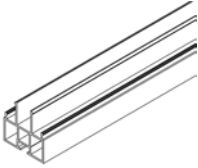
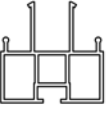


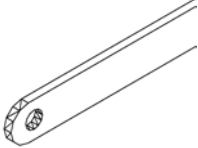

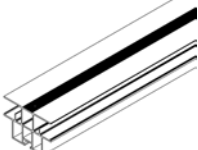

Pack 1/1 - 5/6					Required Quantity / Model						
Item No.	Part	Section Ref.	Size mm	Quantity in Carton	6200	8100	10000	11900	13800	15700	Profile
7219		3	569.5	2x	2x	2x	2x	2x	2x	2x	
7237		4a	1362	2x	2x	2x	2x	2x	2x	2x	
7238		4a	1362	2x	2x	2x	2x	2x	2x	2x	
7249		4b	1251	1x	2x	3x	4x	5x	6x	7x	
7256		4a	1356	2x	2x	2x	2x	2x	2x	2x	

# Part List

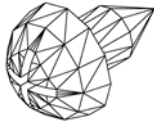
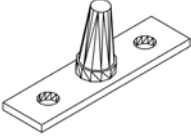


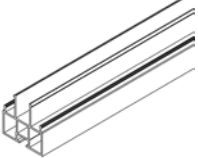
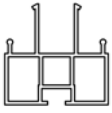



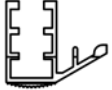
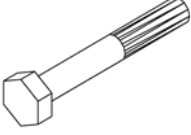
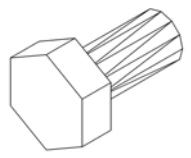

Pack 1/1 - 6/6					Required Quantity / Model						
Item No.	Part	Section Ref.	Size mm	Quantity in Carton	6200	8100	10000	11900	13800	15700	Profile
7030		7b	1793	2x	2x	2x	2x	2x	2x	2x	
7032		7b	1793	2x	4x	6x	8x	10x	12x	14x	
7033		7b	1793	14x	14x	14x	14x	14x	14x	14x	
7034		7b 7c	733	2x	14x	16x	18x	20x	22x	24x	
7044		7b	443	2x	2x	2x	2x	2x	2x	2x	
7074		7b	1369	2x	2x	2x	2x	2x	2x	2x	
7075		7b	1369	2x	2x	2x	2x	2x	2x	2x	
7276		7b	582	2x	2x	2x	2x	2x	2x	2x	
7277		7b	582	2x	2x	2x	2x	2x	2x	2x	

VM0009-Z2

# Part List


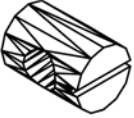
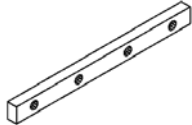
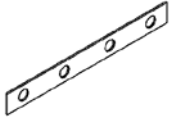
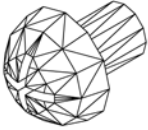

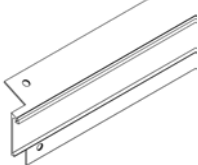
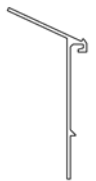
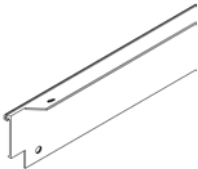
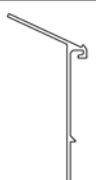
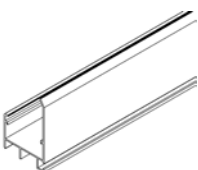
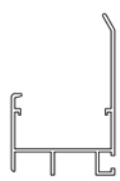
Pack 1/2					Required Quantity / Model						
Item No.	Part	Section Ref.	Size mm	Quantity in Carton	6200	8100	10000	11900	13800	15700	Profile
7005		3	1775	4x	4x	6x	8x	10x	12x	14x	
7032		7b	1793	4x	4x	6x	8x	10x	12x	14x	
7249		4b	1251	2x	2x	3x	4x	5x	6x	7x	
7255		4b	1356	4x	2x	4x	6x	8x	10x	12x	

# Part List

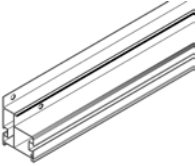
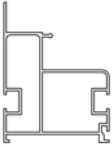
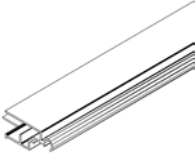

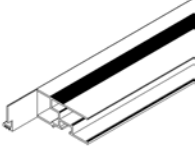

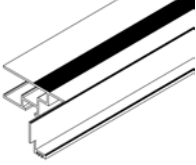

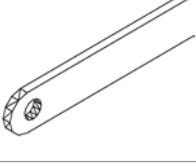

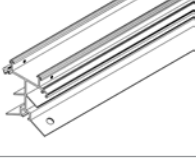
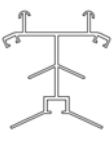
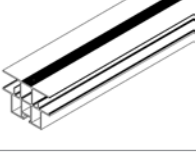
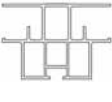
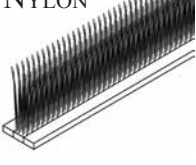

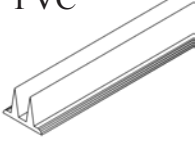

Pack 1F					Required Quantity / Model						
Item No.	Part	Section Ref.	Size mm	Quantity in Carton	6200	8100	10000	11900	13800	15700	Profile
1006		4b 5 6 9	3.5x6	<b>6x</b>	32x	32x	32x	38x	38x	38x	
6056		4b	46	<b>2x</b>	4x	4x	4x	6x	6x	6x	
6090	PVC 	7b 7c	2000	<b>1x</b>	68500	77000	85500	94000	103000	112000	
7005		3	1775	<b>2x</b>	4x	6x	8x	10x	12x	14x	
7032		7b	1793	<b>2x</b>	4x	6x	8x	10x	12x	14x	
7034		7b 7c	733	<b>2x</b>	14x	16x	18x	20x	22x	24x	
7050		7b	M6x42	<b>7x</b>	114x	126x	138x	150x	162x	174x	
7052		2, 3 4, 5 6, 7a	M6x12	<b>8x</b>	124x	146x	168x	194x	216x	238x	
7053		1, 2 3, 4 5, 6 7, 8	M6x4	<b>15x</b>	273x	307x	341x	379x	413x	447x	

VM0009-Z2

# Part List

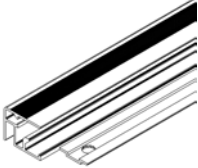

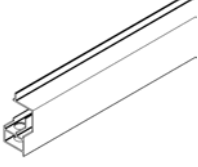
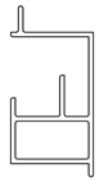

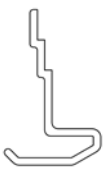
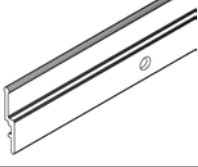
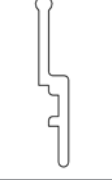
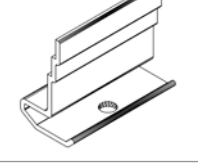

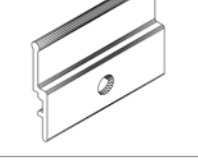
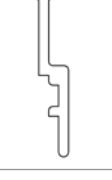

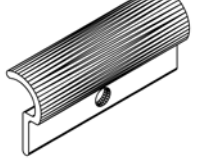

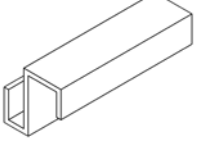
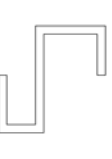
Pack 1F					Required Quantity / Model						
Item No.	Part	Section Ref.	Size mm	Quantity in Carton	6200	8100	10000	11900	13800	15700	Profile
7054		4b 6	M6x100	2x	12x	12x	12x	14x	14x	14x	
7055		4b 6	M6x10 x14	2x	12x	12x	12x	14x	14x	14x	
7061		1 4a 7a	117	2x	13x	13x	15x	17x	17x	17x	
7064		1 4a 7a	117	2x	5x	5x	5x	5x	5x	5x	
7080		1 4a 7a	M6x8	8x	52x	52x	60x	68x	68x	68x	
7090		5	324	1x	2x	2x	2x	3x	3x	3x	
7221		2	795	1x	1x	-	-	-	-	-	
7222		2	795	1x	1x	-	-	-	-	-	
7223		7a	795	2x	2x	-	-	-	-	-	

# Part List

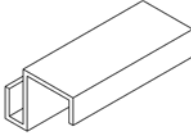

Pack 1F					Required Quantity / Model						
Item No.	Part	Section Ref.	Size mm	Quantity in Carton	6200	8100	10000	11900	13800	15700	Profile
7225		1	776	2x	2x	-	-	-	-	-	
7244		5	713	1x	2x	2x	2x	3x	3x	3x	
7247 (7291)		5	674	1x	2x	2x	2x	3x	3x	3x	
7248 (7291)		5	674	1x	2x	2x	2x	3x	3x	3x	
7249		4b	1251	1x	2x	3x	4x	5x	6x	7x	
7253		4a	776	1x	1x	-	-	-	-	-	
7255		4b	1356	2x	2x	4x	6x	8x	10x	12x	
7260	NYLON 	4a	776	2x	2x	-	-	-	-	-	
7291 (7247 & 7248)	PVC 	5	674	2x	4x	4x	4x	6x	6x	6x	

VM0009-Z2

# Part List

Pack 1F					Required Quantity / Model						
Item No.	Part	Section Ref.	Size mm	Quantity in Carton	6200	8100	10000	11900	13800	15700	Profile
7293		5	713	1x	2x	2x	2x	3x	3x	3x	
7294		4b	708	1x	2x	2x	2x	3x	3x	3x	
7296		7a	707	2x	6x	8x	10x	12x	14x	16x	
7297		7a	687	2x	6x	8x	10x	12x	14x	16x	
7298		7a*	30	3x	4x +6x*	6x +8x*	8x +10x*	9x +12x*	11x +14x*	13x +16x*	
7299		7a*	30	3x	4x +6x*	6x +8x*	8x +10x*	9x +12x*	11x +14x*	13x +16x*	
7349		7a* 8	3.9x10	11x	38x	50x	62x	74x	86x	98x	
7369		8	30	2x	4x	4x	4x	6x	6x	6x	
7406		7b	30	2x	12x	14x	16x	18x	20x	22x	

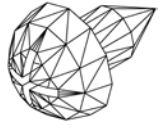
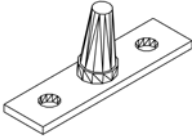


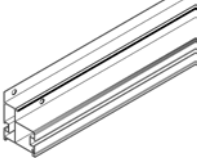
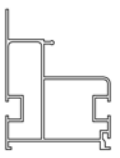

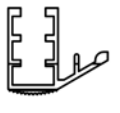
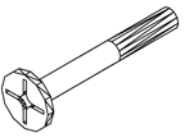
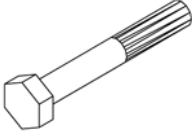
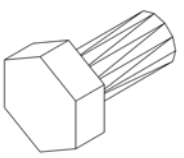



Pack 1F					Required Quantity / Model						
Item No.	Part	Section Ref.	Size mm	Quantity in Carton	6200	8100	10000	11900	13800	15700	Profile
7407		7b	30	2x	12x	14x	16x	18x	20x	22x	


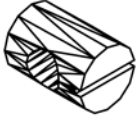
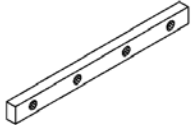


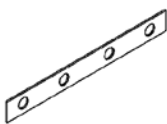
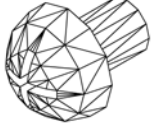

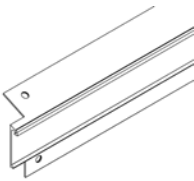

# Part List

VM0009-Z2

# Part List

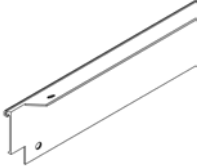

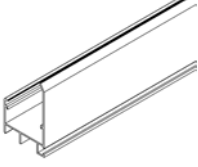

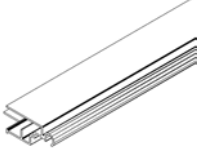

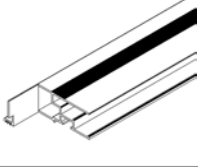

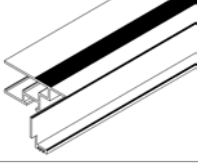

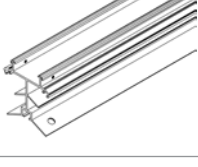

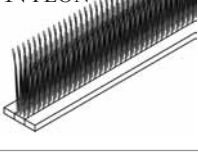

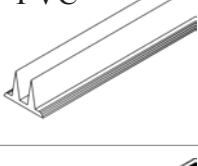

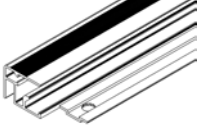

Pack 2					Required Quantity / Model						
Item No.	Part	Section Ref.	Size mm	Quantity in Carton	6200	8100	10000	11900	13800	15700	Profile
1006		4b 5 6 9	3.5x6	<b>6x</b>	32x	32x	32x	38x	38x	38x	
6056		4b	46	<b>2x</b>	4x	4x	4x	6x	6x	6x	
6090	PVC 	7b 7c	10500	<b>1x</b>	68500	77000	85500	94000	103000	112000	
7001		1	1520	<b>2x</b>	2x	4x	2x	-	-	-	
7034		7b 7c	733	<b>4x</b>	14x	16x	18x	20x	22x	24x	
7047		4b	M6x48	<b>1x</b>	-	2x	4x	4x	6x	8x	
7050		7b	M6x42	<b>19x</b>	114x	126x	138x	150x	162x	174x	
7052		2, 3 4, 5 6, 7a	M6x12	<b>30x</b>	124x	146x	168x	194x	216x	238x	
7053		1, 2 3, 4 5, 6 7, 8	M6x4	<b>49x</b>	273x	307x	341x	379x	413x	447x	

# Part List

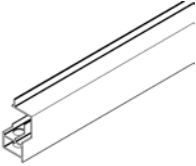
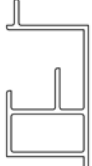


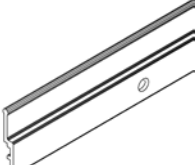
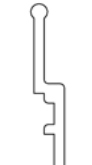


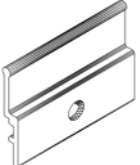
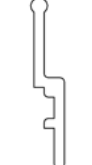
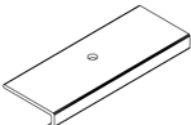


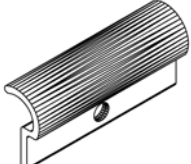

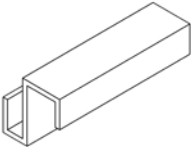

Pack 2					Required Quantity / Model						
Item No.	Part	Section Ref.	Size mm	Quantity in Carton	6200	8100	10000	11900	13800	15700	Profile
7054		4b 6	M6x100	2x	12x	12x	12x	14x	14x	14x	
7055		4b 6	M6x10 x14	2x	12x	12x	12x	14x	14x	14x	
7061		1 4a 7a	117	2x	13x	13x	15x	17x	17x	17x	
7062		4	235	1x	5x	6x	7x	8x	9x	10x	
7063		3	255	2x	6x	8x	10x	12x	14x	16x	
7064		1 4a 7a	117	2x	5x	5x	5x	5x	5x	5x	
7080		1 4a 7a	M6x8	8x	52x	52x	60x	68x	68x	68x	
7090		5	324	1x	2x	2x	2x	3x	3x	3x	
7201		2	1539	1x	1x	2x	1x	-	-	-	

VM0009-Z2

# Part List

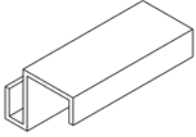

Item No.	Pack 2				Required Quantity / Model						Profile
	Part	Section Ref.	Size mm	Quantity in Carton	6200	8100	10000	11900	13800	15700	
7202		2	1539	1x	1x	2x	1x	-	-	-	
7213		7a	1539	2x	2x	4x	2x	-	-	-	
7244		5	713	1x	2x	2x	2x	3x	3x	3x	
7247 (7291)		5	674	1x	2x	2x	2x	3x	3x	3x	
7248 (7291)		5	674	1x	2x	2x	2x	3x	3x	3x	
7250		4a	1520	1x	1x	2x	1x	-	-	-	
7257	NYLON 	4a	1520	2x	2x	4x	2x	-	-	-	
7291 (7247 & 7248)	PVC 	5	674	2x	4x	4x	4x	6x	6x	6x	
7293		5	713	1x	2x	2x	2x	3x	3x	3x	

# Part List

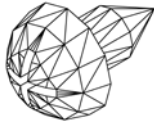
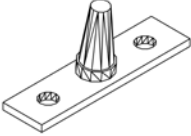


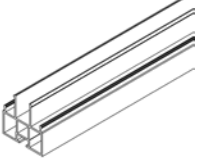
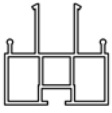


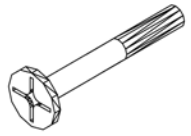
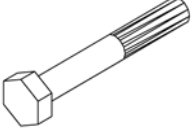
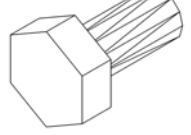

Pack 2					Required Quantity / Model						
Item No.	Part	Section Ref.	Size mm	Quantity in Carton	6200	8100	10000	11900	13800	15700	Profile
7294		4b	708	<b>1x</b>	2x	2x	2x	3x	3x	3x	
7296		7a	707	<b>4x</b>	6x	8x	10x	12x	14x	16x	
7297		7a	687	<b>4x</b>	6x	8x	10x	12x	14x	16x	
7298		7a*	30	<b>7x</b>	4x +6x*	6x +8x*	8x +10x*	9x +12x*	11x +14x*	13x +16x*	
7299		7a*	30	<b>7x</b>	4x +6x*	6x +8x*	8x +10x*	9x +12x*	11x +14x*	13x +16x*	
7343		7a	56	<b>2x</b>	2x	4x	6x	8x	10x	12x	
7349		7a* 8	3.9x10	<b>23x</b>	38x	50x	62x	74x	86x	98x	
7369		8	30	<b>2x</b>	4x	4x	4x	6x	6x	6x	
7406		7b	30	<b>4x</b>	12x	14x	16x	18x	20x	22x	

VM0009-Z2

# Part List


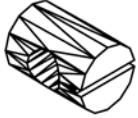
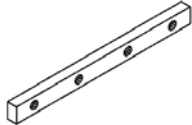


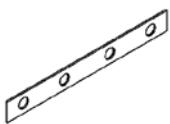
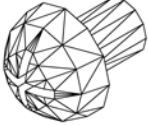
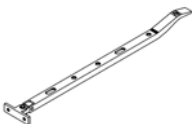
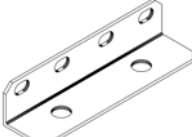

Pack 2					Required Quantity / Model						
Item No.	Part	Section Ref.	Size mm	Quantity in Carton	6200	8100	10000	11900	13800	15700	Profile
7407		7b	30	4x	12x	14x	16x	18x	20x	22x	

# Part List

Pack 3 - 1/2					Required Quantity / Model						
Item No.	Part	Section Ref.	Size mm	Quantity in Carton	6200	8100	10000	11900	13800	15700	Profile
1006		4b 5 6 9	3.5x6	<b>6x</b>	32x	32x	32x	38x	38x	38x	
6056		4b	46	<b>2x</b>	4x	4x	4x	6x	6x	6x	
6090	PVC 	7b 7c	19000	<b>1x</b>	68500	77000	85500	94000	103000	112000	
7005		3	1775	<b>2x</b>	4x	6x	8x	10x	12x	14x	
7034		7b 7c	733	<b>6x</b>	14x	16x	18x	20x	22x	24x	
7047		4b	M6x48	<b>3x</b>	-	2x	4x	4x	6x	8x	
7050		7b	M6x42	<b>31x</b>	114x	126x	138x	150x	162x	174x	
7052		2, 3 4, 5 6, 7a	M6x12	<b>52x</b>	124x	146x	168x	194x	216x	238x	
7053		1, 2 3, 4 5, 6 7, 8	M6x4	<b>83x</b>	273x	307x	341x	379x	413x	447x	

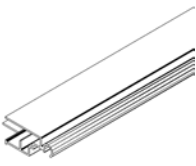
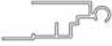
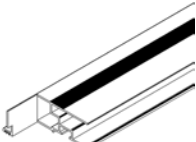

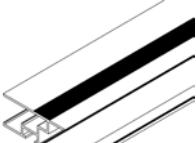

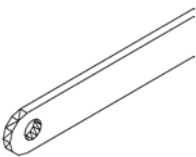

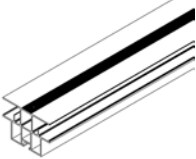
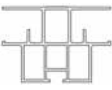
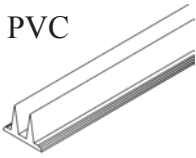

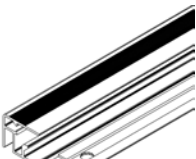

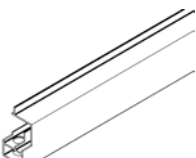



VM0009-Z2

# Part List

Pack 3 - 1/2					Required Quantity / Model						
Item No.	Part	Section Ref.	Size mm	Quantity in Carton	6200	8100	10000	11900	13800	15700	Profile
7054		4b 6	M6x100	2x	12x	12x	12x	14x	14x	14x	
7055		4b 6	M6x10 x14	2x	12x	12x	12x	14x	14x	14x	
7061		1 4a 7a	117	4x	13x	13x	15x	17x	17x	17x	
7062		4	235	2x	5x	6x	7x	8x	9x	10x	
7063		3	255	4x	6x	8x	10x	12x	14x	16x	
7064		1 4a 7a	117	2x	5x	5x	5x	5x	5x	5x	
7080		1 4a 7a	M6x8	16x	52x	52x	60x	68x	68x	68x	
7090		5	324	1x	2x	2x	2x	3x	3x	3x	
7095		1	117	2x	8x	8x	10x	12x	12x	12x	

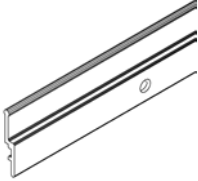

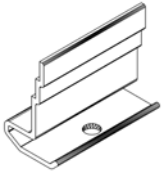
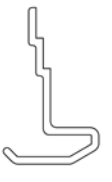


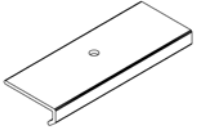

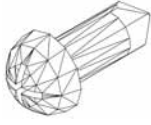
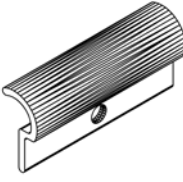

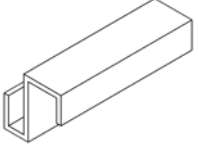

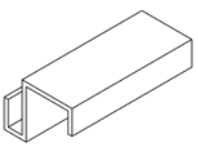
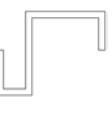


# Part List

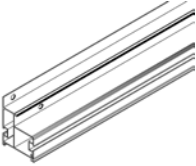
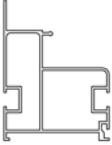


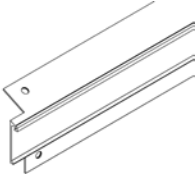

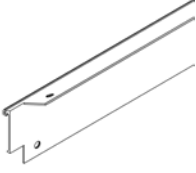

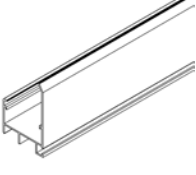
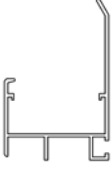
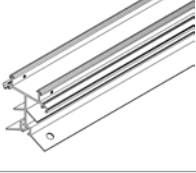
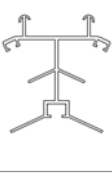
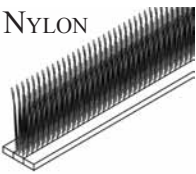

Pack 3 - 1/2					Required Quantity / Model						
Item No.	Part	Section Ref.	Size mm	Quantity in Carton	6200	8100	10000	11900	13800	15700	Profile
7244		5	713	<b>1x</b>	2x	2x	2x	3x	3x	3x	
7247 (7291)		5	674	<b>1x</b>	2x	2x	2x	3x	3x	3x	
7248 (7291)		5	674	<b>1x</b>	2x	2x	2x	3x	3x	3x	
7249		4b	1251	<b>1x</b>	2x	3x	4x	5x	6x	7x	
7255		4b	1356	<b>2x</b>	2x	4x	6x	8x	10x	12x	
7291 (7247 & 7248)	PVC 	5	674	<b>2x</b>	4x	4x	4x	6x	6x	6x	
7293		5	713	<b>1x</b>	2x	2x	2x	3x	3x	3x	
7294		4b	708	<b>1x</b>	2x	2x	2x	3x	3x	3x	
7296		7a	707	<b>6x</b>	6x	8x	10x	12x	14x	16x	

VM0009-Z2

# Part List

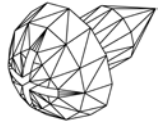
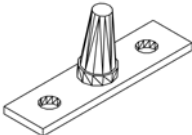



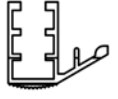
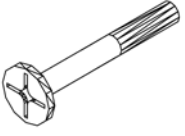
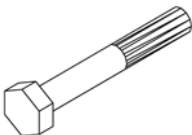
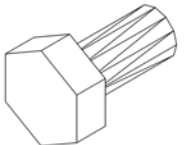


Pack 3 - 1/2					Required Quantity / Model						
Item No.	Part	Section Ref.	Size mm	Quantity in Carton	6200	8100	10000	11900	13800	15700	Profile
7297		7a	687	<b>6x</b>	6x	8x	10x	12x	14x	16x	
7298		7a*	30	<b>11x</b>	4x +6x*	6x +8x*	8x +10x*	9x +12x*	11x +14x*	13x +16x*	
7299		7a*	30	<b>11x</b>	4x +6x*	6x +8x*	8x +10x*	9x +12x*	11x +14x*	13x +16x*	
7343		7a	56	<b>4x</b>	2x	4x	6x	8x	10x	12x	
7349		7a* 8	3.9x10	<b>34x</b>	38x	50x	62x	74x	86x	98x	
7369		8	30	<b>2x</b>	4x	4x	4x	6x	6x	6x	
7406		7b	30	<b>6x</b>	12x	14x	16x	18x	20x	22x	
7407		7b	30	<b>6x</b>	12x	14x	16x	18x	20x	22x	

# Part List

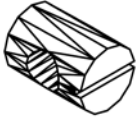
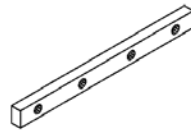


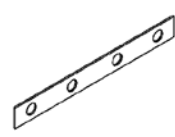
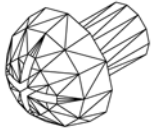
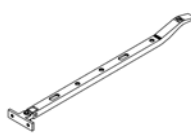
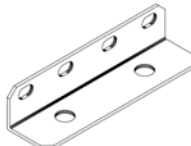

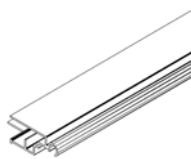

Pack 3 - 2/2					Required Quantity / Model						
Item No.	Part	Section Ref.	Size mm	Quantity in Carton	6200	8100	10000	11900	13800	15700	Profile
7002		1	2264	2x	-	-	2x	4x	2x	-	
7032		7b	1793	2x	4x	6x	8x	10x	12x	14x	
7203		2	2283	1x	-	-	1x	2x	1x	-	
7204		2	2283	1x	-	-	1x	2x	1x	-	
7214		7a	2283	2x	-	-	2x	4x	2x	-	
7251		4a	2264	1x	-	-	1x	2x	1x	-	
7258	NYLON 	4a	2264	2x	-	-	2x	4x	2x	-	

VM0009-Z2

# Part List

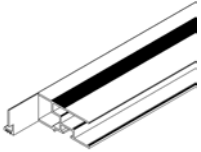

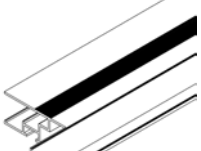

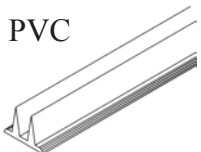

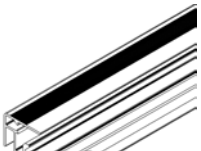

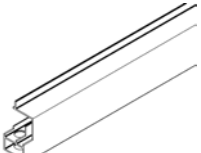
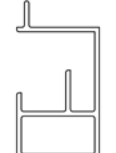

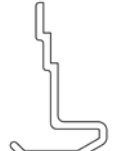
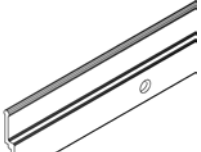
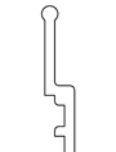
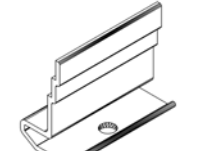
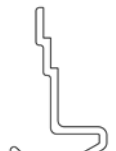

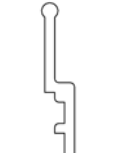
Pack 4 - 1/2					Required Quantity / Model						
Item No.	Part	Section Ref.	Size mm	Quantity in Carton	6200	8100	10000	11900	13800	15700	Profile
1006		4b 5 6 9	3.5x6	<b>6x</b>	32x	32x	32x	38x	38x	38x	
6056		4b	46	<b>2x</b>	4x	4x	4x	6x	6x	6x	
6090	PVC 	7b 7c	28000	<b>1x</b>	68500	77000	85500	94000	103000	112000	
7034		7b 7c	733	<b>8x</b>	14x	16x	18x	20x	22x	24x	
7047		4b	M6x48	<b>5x</b>	-	2x	4x	4x	6x	8x	
7050		7b	M6x42	<b>43x</b>	114x	126x	138x	150x	162x	174x	
7052		2, 3 4, 5 6, 7a	M6x12	<b>74x</b>	124x	146x	168x	194x	216x	238x	
7053		1, 2 3, 4 5, 6 7, 8	M6x4	<b>117x</b>	273x	307x	341x	379x	413x	447x	
7054		4b 6	M6x100	<b>2x</b>	12x	12x	12x	14x	14x	14x	

# Part List

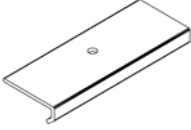

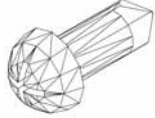
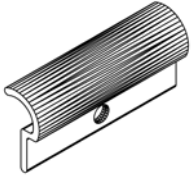

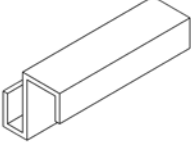

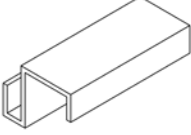
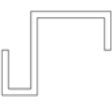
Pack 4 - 1/2					Required Quantity / Model						
Item No.	Part	Section Ref.	Size mm	Quantity in Carton	6200	8100	10000	11900	13800	15700	Profile
7055		4b 6	M6x10 x14	<b>2x</b>	12x	12x	12x	14x	14x	14x	
7061		1 4a 7a	117	<b>4x</b>	13x	13x	15x	17x	17x	17x	
7062		4	235	<b>3x</b>	5x	6x	7x	8x	9x	10x	
7063		3	255	<b>6x</b>	6x	8x	10x	12x	14x	16x	
7064		1 4a 7a	117	<b>2x</b>	5x	5x	5x	5x	5x	5x	
7080		1 4a 7a	M6x8	<b>16x</b>	52x	52x	60x	68x	68x	68x	
7090		5	324	<b>1x</b>	2x	2x	2x	3x	3x	3x	
7095		1	117	<b>2x</b>	8x	8x	10x	12x	12x	12x	
7244		5	713	<b>1x</b>	2x	2x	2x	3x	3x	3x	

VM0009-Z2

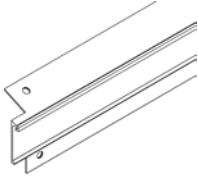
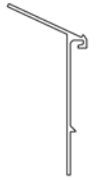
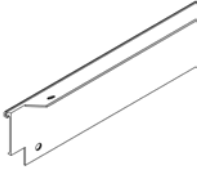
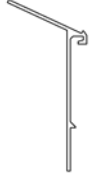
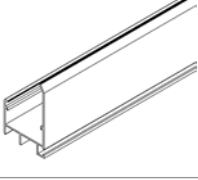

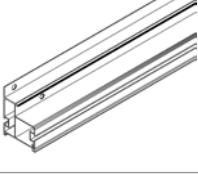

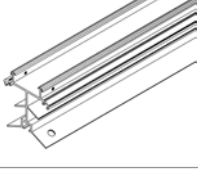

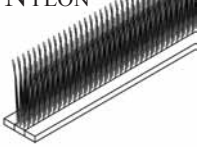

# Part List

Pack 4 - 1/2					Required Quantity / Model						
Item No.	Part	Section Ref.	Size mm	Quantity in Carton	6200	8100	10000	11900	13800	15700	Profile
7247 (7291)		5	674	<b>1x</b>	2x	2x	2x	3x	3x	3x	
7248 (7291)		5	674	<b>1x</b>	2x	2x	2x	3x	3x	3x	
7291 (7247 & 7248)	PVC 	5	674	<b>2x</b>	4x	4x	4x	6x	6x	6x	
7293		5	713	<b>1x</b>	2x	2x	2x	3x	3x	3x	
7294		4b	708	<b>1x</b>	2x	2x	2x	3x	3x	3x	
7296		7a	707	<b>8x</b>	6x	8x	10x	12x	14x	16x	
7297		7a	687	<b>8x</b>	6x	8x	10x	12x	14x	16x	
7298		7a*	30	<b>15x</b>	4x +6x*	6x +8x*	8x +10x*	9x +12x*	11x +14x*	13x +16x*	
7299		7a*	30	<b>15x</b>	4x +6x*	6x +8x*	8x +10x*	9x +12x*	11x +14x*	13x +16x*	

# Part List

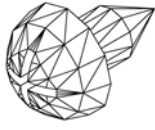
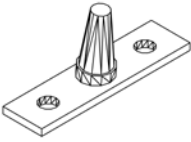
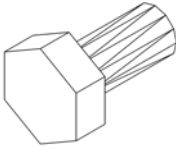


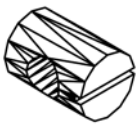
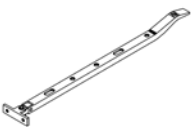


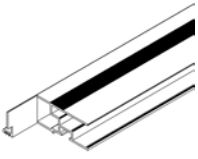

Pack 4 - 1/2					Required Quantity / Model						
Item No.	Part	Section Ref.	Size mm	Quantity in Carton	6200	8100	10000	11900	13800	15700	Profile
7343		7a	56	<b>6x</b>	2x	4x	6x	8x	10x	12x	
7349		7a* 8	3.9x10	<b>46x</b>	38x	50x	62x	74x	86x	98x	
7369		8	30	<b>2x</b>	4x	4x	4x	6x	6x	6x	
7406		7b	30	<b>8x</b>	12x	14x	16x	18x	20x	22x	
7407		7b	30	<b>8x</b>	12x	14x	16x	18x	20x	22x	

# Part List

Pack 4 - 2/2					Required Quantity / Model						
Item No.	Part	Section Ref.	Size mm	Quantity in Carton	6200	8100	10000	11900	13800	15700	Profile
7205		2	3027	1x	-	-	-	-	1x	2x	
7206		2	3027	1x	-	-	-	-	1x	2x	
7215		7a	3027	2x	-	-	-	-	2x	4x	
7224		1	3008	2x	-	-	-	-	2x	4x	
7252		4a	3008	1x	-	-	-	-	1x	2x	
7259	NYLON 	4a	3008	2x	-	-	-	-	2x	4x	

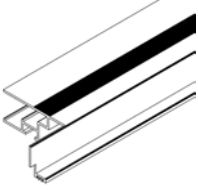

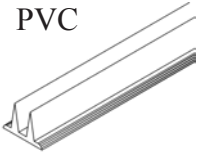

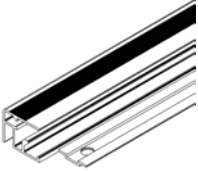

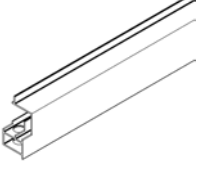
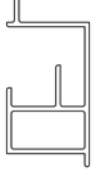
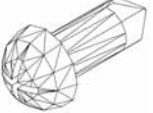
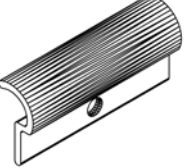



# Part List

Pack 5 - Roof Vent					Required Quantity / Model						
Item No.	Part	Section Ref.	Size mm	Quantity in Carton	6200	8100	10000	11900	13800	15700	Profile
1006		4b 5 6 9	3.5x6	6x	32x	32x	32x	38x	38x	38x	
6056		4b	46	2x	4x	4x	4x	6x	6x	6x	
7052		2, 3 4, 5 6, 7a	M6x12	4x	124x	146x	168x	194x	216x	238x	
7053		1, 2 3, 4 5, 6 7, 8	M6x4	4x	273x	307x	341x	379x	413x	447x	
7054		4b 6	M6x100	2x	12x	12x	12x	14x	14x	14x	
7055		4b 6	M6x10 x14	2x	12x	12x	12x	14x	14x	14x	
7090		5	324	1x	2x	2x	2x	3x	3x	3x	
7244		5	713	1x	2x	2x	2x	3x	3x	3x	
7247 (7291)		5	674	1x	2x	2x	2x	3x	3x	3x	

VM0009-Z2

# Part List

Pack 5 - Roof Vent					Required Quantity / Model						
Item No.	Part	Section Ref.	Size mm	Quantity in Carton	6200	8100	10000	11900	13800	15700	Profile
7248 (7291)		5	674	1x	2x	2x	2x	3x	3x	3x	
7291 (7247 & 7248)	PVC 	5	674	2x	4x	4x	4x	6x	6x	6x	
7293		5	713	1x	2x	2x	2x	3x	3x	3x	
7294		4b	708	1x	2x	2x	2x	3x	3x	3x	
7349		7a* 8	3.9x10	2x	38x	50x	62x	74x	86x	98x	
7369		8	30	2x	4x	4x	4x	6x	6x	6x	





**IMPORTANT:**

Materials and tools for the preparation of the suggested foundation are not included in this product.



The following foundation specifications are suggestions only.

**For the erection of this greenhouse we suggest a solid foundation. It is possible to prepare this foundation from concrete, brickwork or stonework. If you have no experience with the construction of such a foundation please consult a company specialising in this work.**

**Important: The foundation must extend down below the frost level. The specified dimensions are to be followed exactly and allow for the connection of the sill bar to the foundation, using the supplied connecting angles 7095, inside or outside the greenhouse. The angle 7095 requires 50mm space.**



**IMPORTANT:**

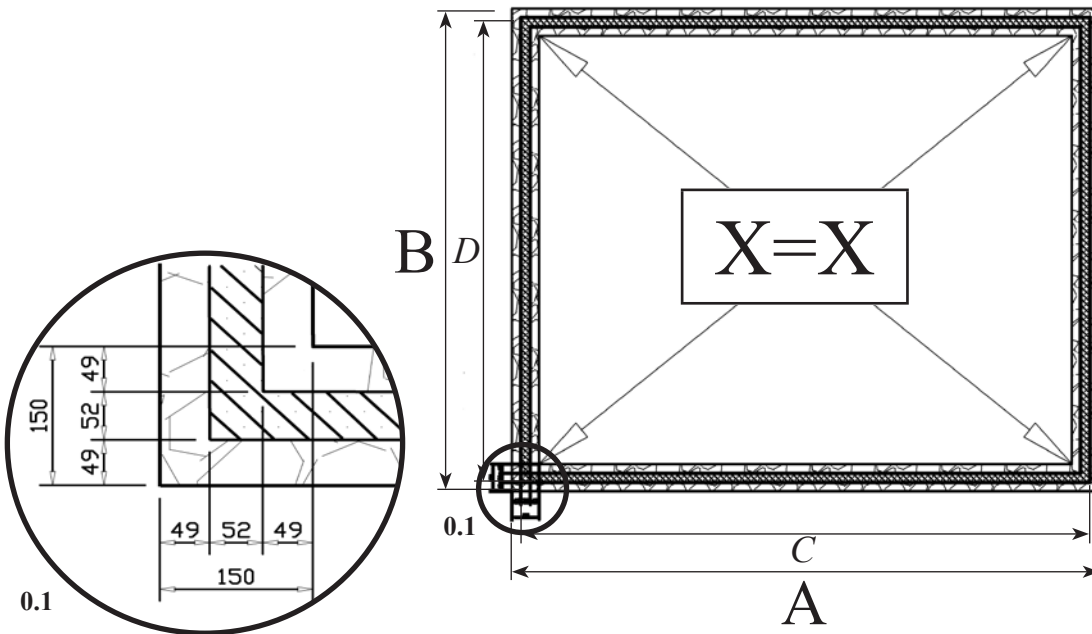
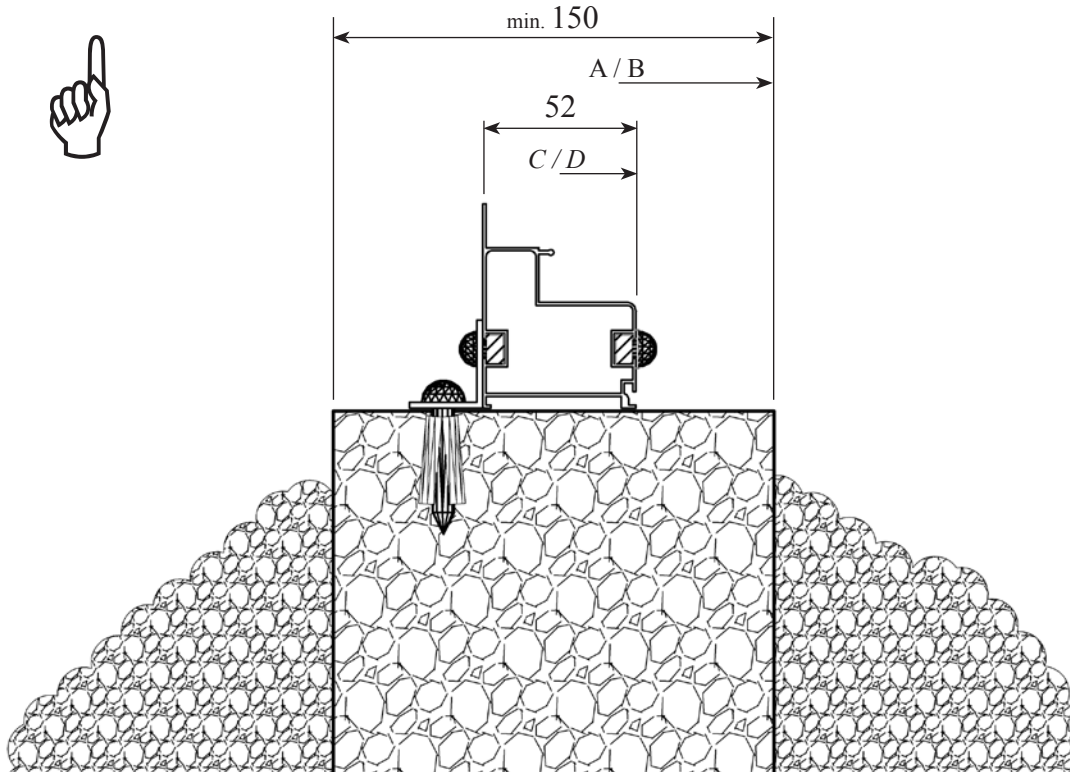
**The foundation must be exactly right angular and level. To achieve this you will require a spirit level and a right angle.**

**(Tip: If the distance between the two opposite corners is the same then the foundation is right angular.)**

**Assemble your greenhouse onto your prepared foundation.**

**Important:**

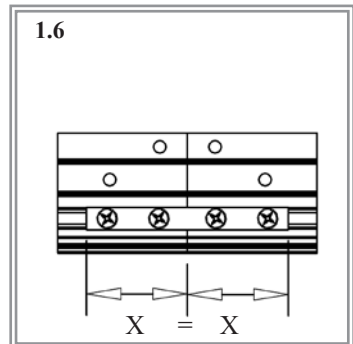
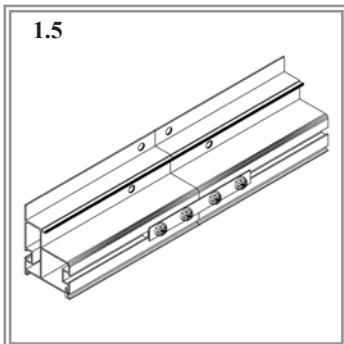
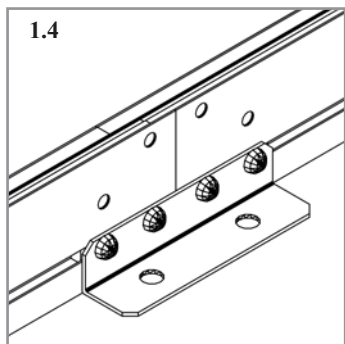
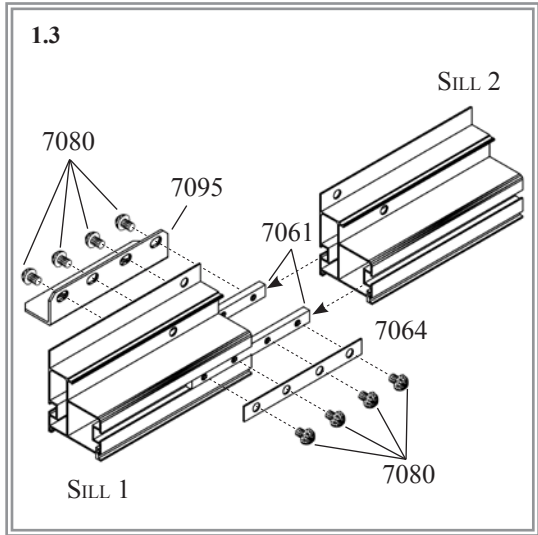
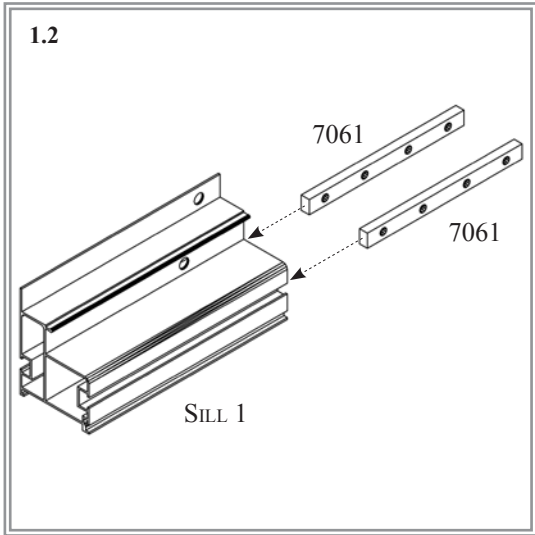
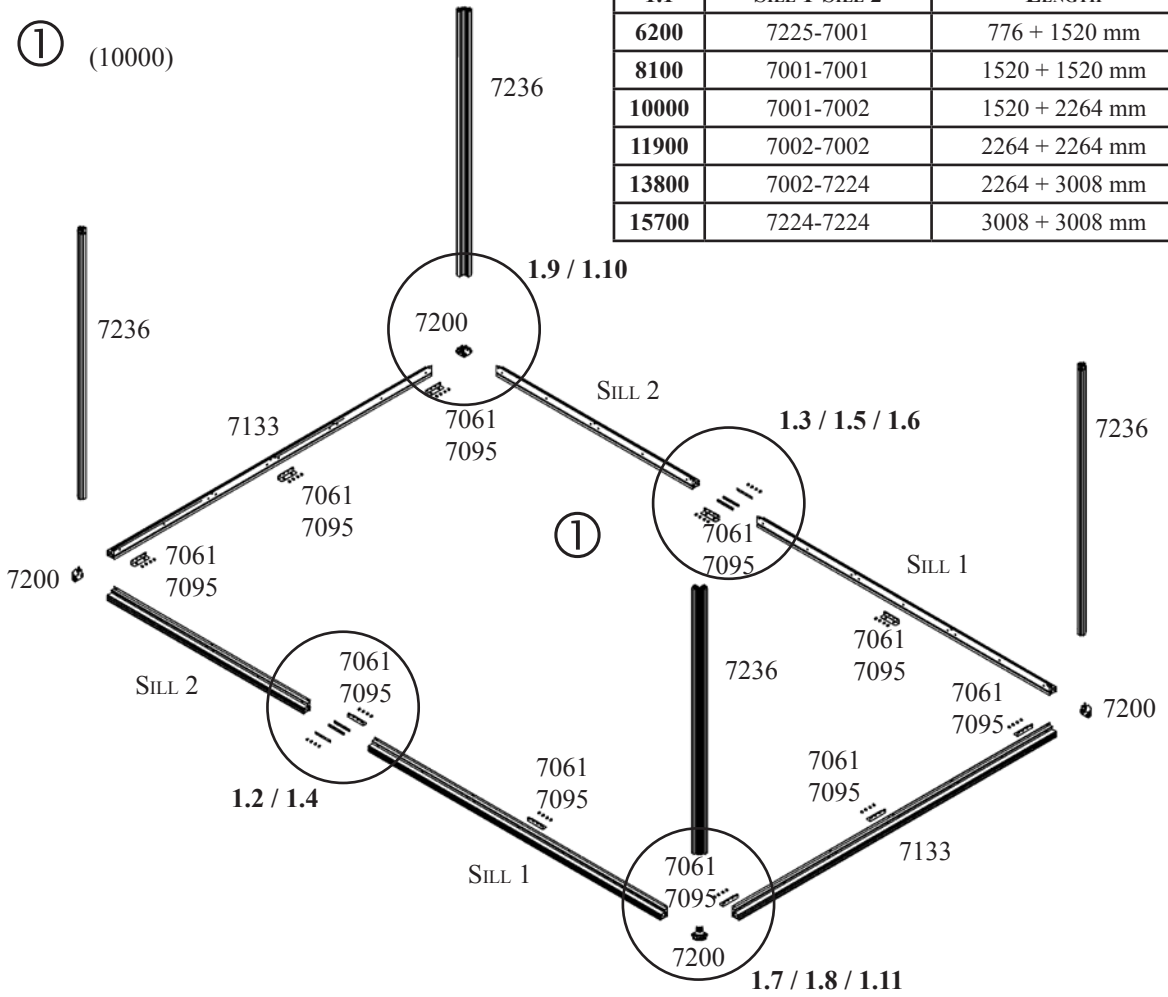
**The greenhouse should be connected to the foundation only after the greenhouse is completely assembled and it has been checked to be exactly right angular and level.**



	6200	8100	10000	11900	13800	15700
<b>A</b>	2498 mm	3242 mm	3986 mm	4730 mm	5474 mm	6218 mm
<b>B</b>	2662 mm	2662 mm	2662 mm	2662 mm	2662 mm	2662 mm
<b>C</b>	(2400 mm)	(3144 mm)	(3888 mm)	(4632 mm)	(5376 mm)	(6120 mm)
<b>D</b>	(2564 mm)	(2564 mm)	(2564 mm)	(2564 mm)	(2564 mm)	(2564 mm)

Model						
6200	8100	10000	11900	13800	15700	
7001						
2x	4x	2x	-	-	-	
7002						
-	-	2x	4x	2x	-	
7053						
8x	8x	8x	8x	8x	8x	
7061						
10x	10x	12x	14x	14x	14x	
7064						
2x	2x	2x	2x	2x	2x	
7080						
40x	40x	48x	56x	56x	56x	
7095						
8x	8x	10x	12x	12x	12x	
7133						
2x	2x	2x	2x	2x	2x	
7200						
4x	4x	4x	4x	4x	4x	
7224						
-	-	-	-	2x	4x	
7225						
2x	-	-	-	-	-	
7236						
4x	4x	4x	4x	4x	4x	
7399						
8x	8x	8x	8x	8x	8x	

1.1	SILL 1-SILL 2	LENGTH
6200	7225-7001	776 + 1520 mm
8100	7001-7001	1520 + 1520 mm
10000	7001-7002	1520 + 2264 mm
11900	7002-7002	2264 + 2264 mm
13800	7002-7224	2264 + 3008 mm
15700	7224-7224	3008 + 3008 mm

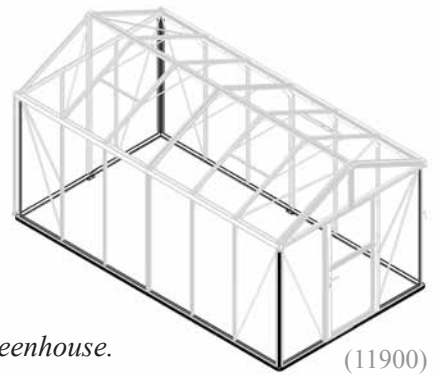


# SILL BARS / CORNER POSTS

## ATTENTION ...

The sill bars, using angles 7095, should be connected to the foundation only after the house is **completely** assembled.

It is recommended that this greenhouse be assembled by at least 2 people.



Diagrams in a single frame (as 1.4) show the view from inside the greenhouse.

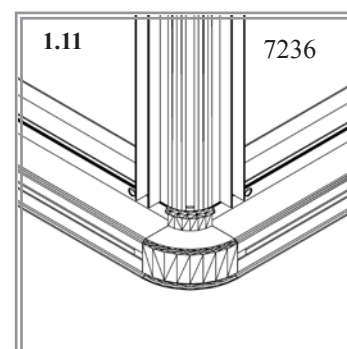
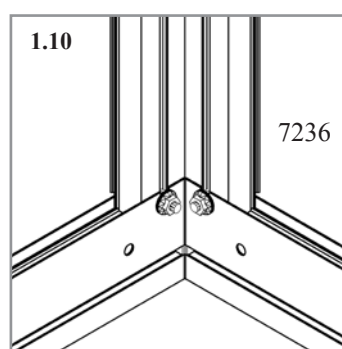
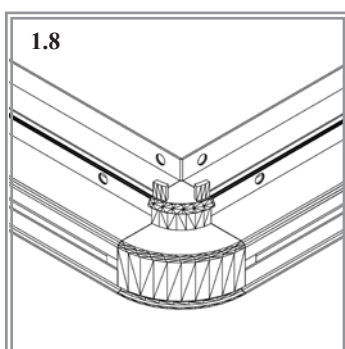
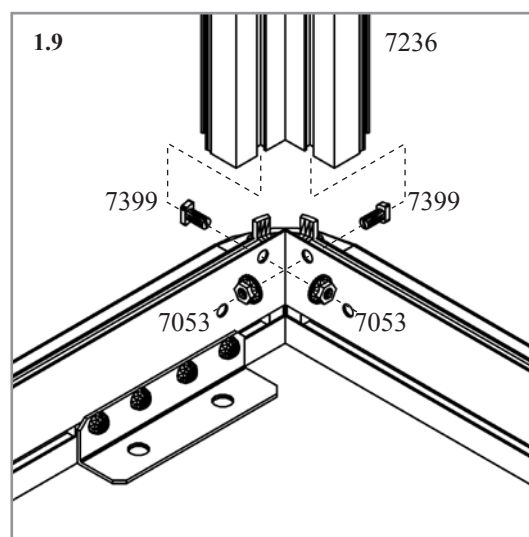
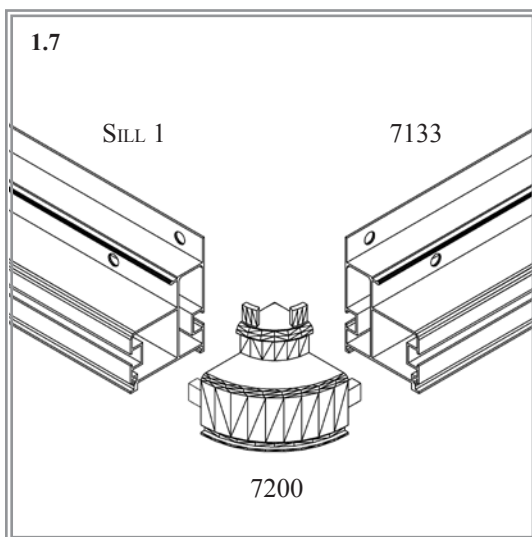
Diagrams in a double frame (as 1.2) show the view from outside the greenhouse.

Remove sill bars 7133 from Pack 1/1-3/6 and sill bars 7001, 7002, 7224 or 7225 from Packs 1F, 2, 3 or 4 as required, see table (1.1). Lay them on the prepared foundation as shown in diagram ①. Connect them by sliding connecting blocks 7061 into the channels in the sill bars (1.2) and loosely fix them in place using plates 7064 or angles 7095 and screws 7080 (1.3) (1.4) (1.5). Ensure the assembled connectors are centred on the join of the sill bars (1.6) and tighten all screws 7080 (1.6).

Connect the four assembled sill sides together by inserting the corner plastics 7200 into the channels in the sill bars (1.7) (1.8).

Loosely prepare bolts 7399 and nuts 7053 as shown in (1.9). Lower corner bar 7236 fitting the bolt heads of 7399 into the bolt channels in 7236 (1.9) and ensuring 7236 fits over the guides in the top of 7200 (1.11). Tighten nuts 7053 (1.10).

When all four corners are connected check that the sill sides are at right angles to one another.

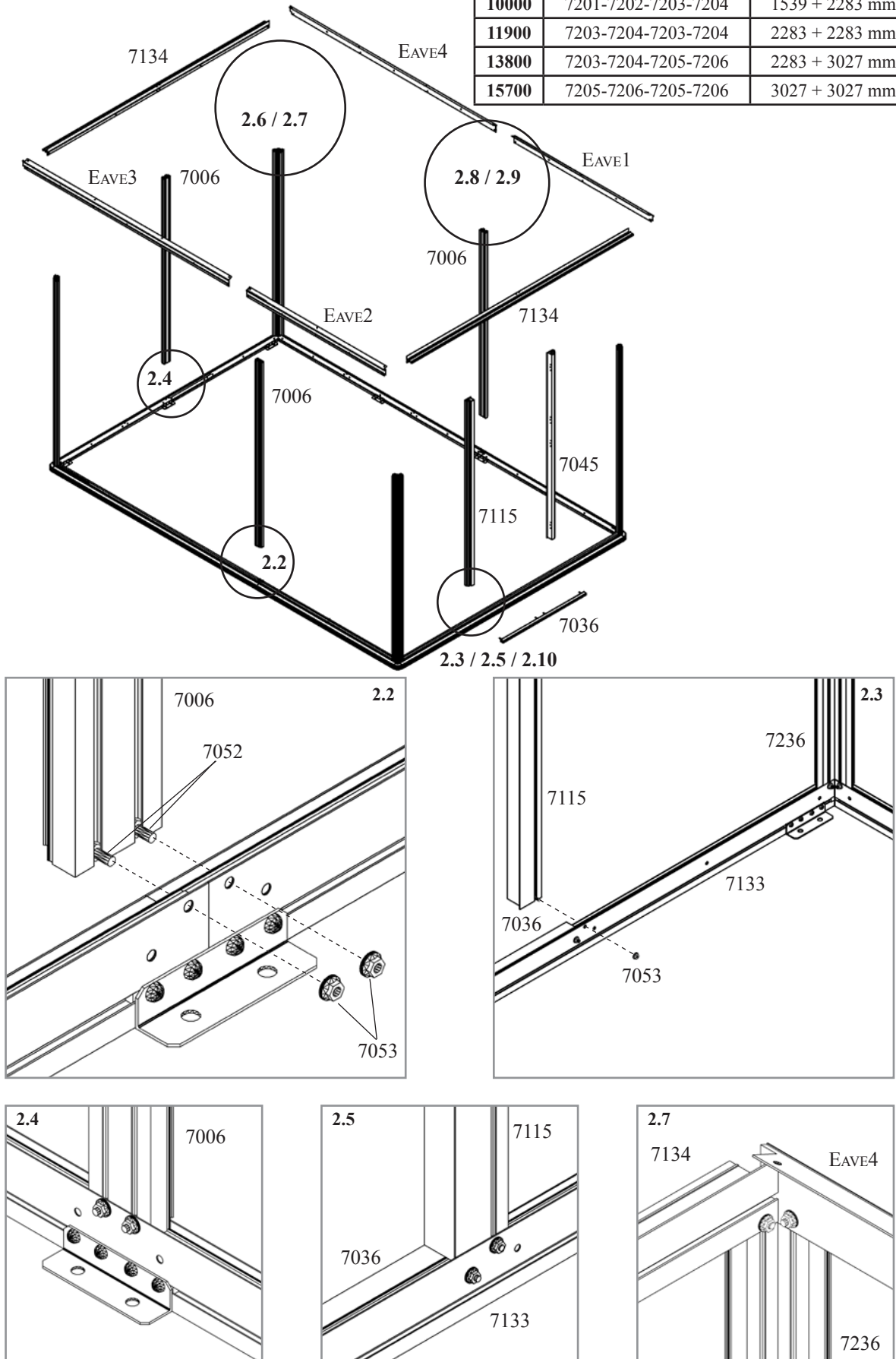




Model					
6200	8100	10000	11900	13800	15700
7006					
3x	3x	3x	3x	3x	3x
7036					
1x	1x	1x	1x	1x	1x
7045					
1x	1x	1x	1x	1x	1x
7052					
32x	32x	32x	32x	32x	32x
7053					
36x	36x	36x	36x	36x	36x
7115					
1x	1x	1x	1x	1x	1x
7134					
2x	2x	2x	2x	2x	2x
7201					
1x	2x	1x	-	-	-
7202					
1x	2x	1x	-	-	-
7203					
-	-	1x	2x	1x	-
7204					
-	-	1x	2x	1x	-
7205					
-	-	-	-	1x	2x
7206					
-	-	-	-	1x	2x
7221					
1x	-	-	-	-	-
7222					
1x	-	-	-	-	-
7390					
4x	4x	4x	4x	4x	4x

② (10000)

2.1	EAVE1-EAVE2-EAVE3-EAVE4	LENGTH (EAVE 1/EAVE 2) + (EAVE 3/EAVE 4)
6200	7221-7222-7201-7202	795 + 1539 mm
8100	7201-7202-7201-7202	1539 + 1539 mm
10000	7201-7202-7203-7204	1539 + 2283 mm
11900	7203-7204-7203-7204	2283 + 2283 mm
13800	7203-7204-7205-7206	2283 + 3027 mm
15700	7205-7206-7205-7206	3027 + 3027 mm



VM0009-Z2

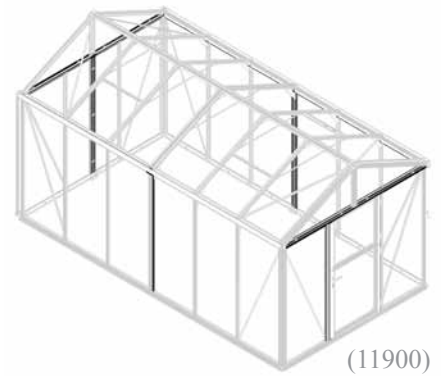


## MIDDLE BARS / EAVE ANGLES

ATTENTION ...

**This step will require 2 to 3 people to assemble.**

**Please connect all nuts and bolts loosely as some must be removed again to assemble other parts later.**

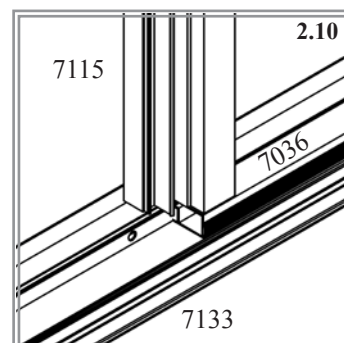
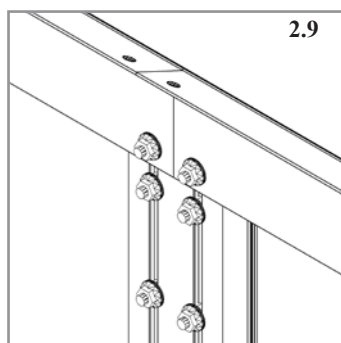
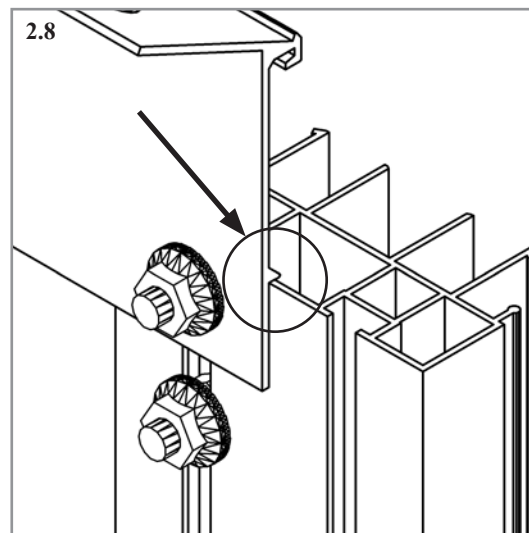
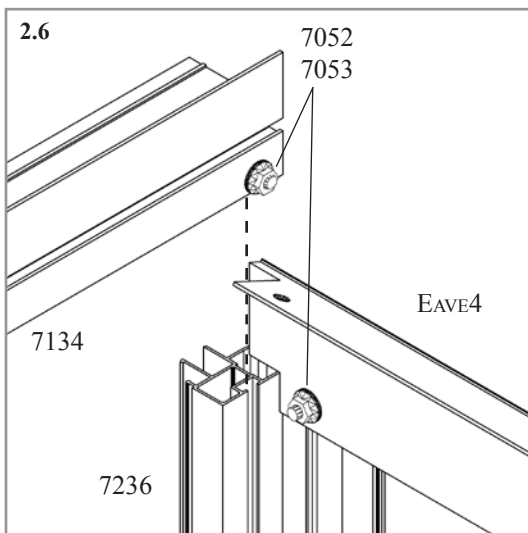


Begin by preparing the four bolts 7390 in the door sill bar 7036. Connect 7036 into sill bar 7133, from the outside, in the door opening (2.3) (2.10).

Please insert in two of the middle bars 7006, in each bolt channel, two extra bolts 7052 with nuts 7053 to later connect braces 7063 (2.9). Connect these prepared 7006 onto the sides by inserting bolts 7052 into the bolt channels and connect to the sill bar using nuts 7053 (2.2).

Connect middle bars 7006 and the corner posts 7236 to the eave angles, table 2.1 (2.6 - 2.9). Please take care to ensure that the eave angles are pushed into the corner of 7236 (2.6) and that the assembly edge sits correctly (2.8).

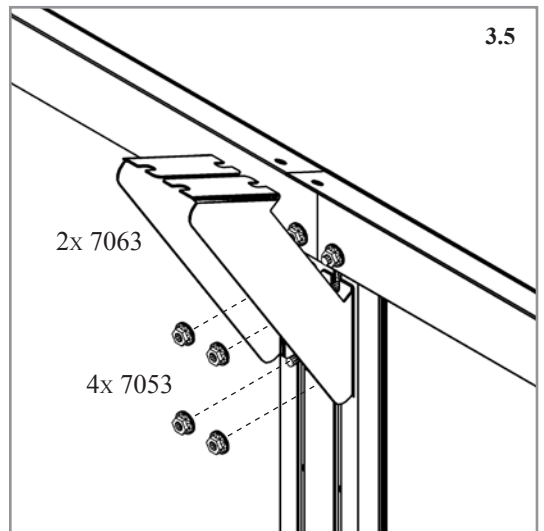
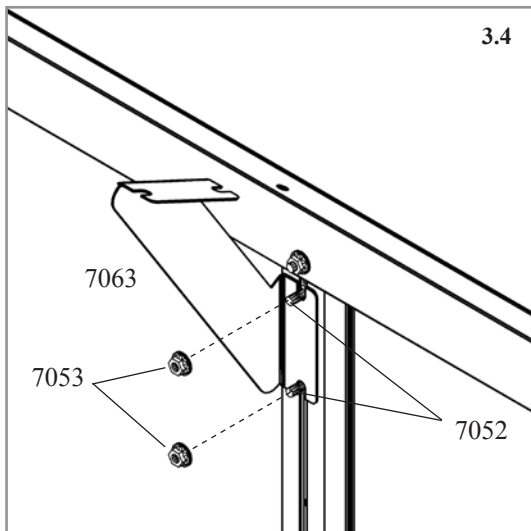
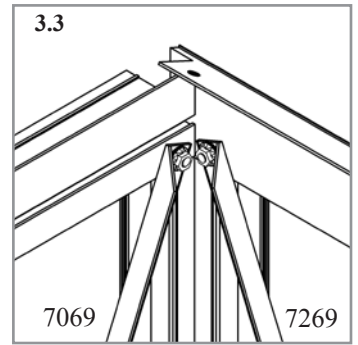
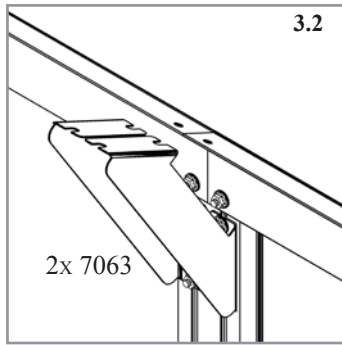
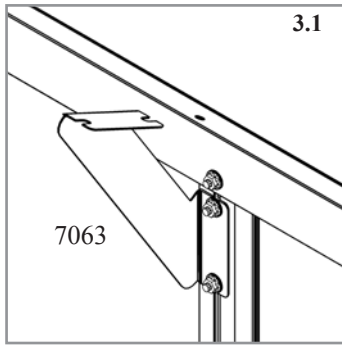
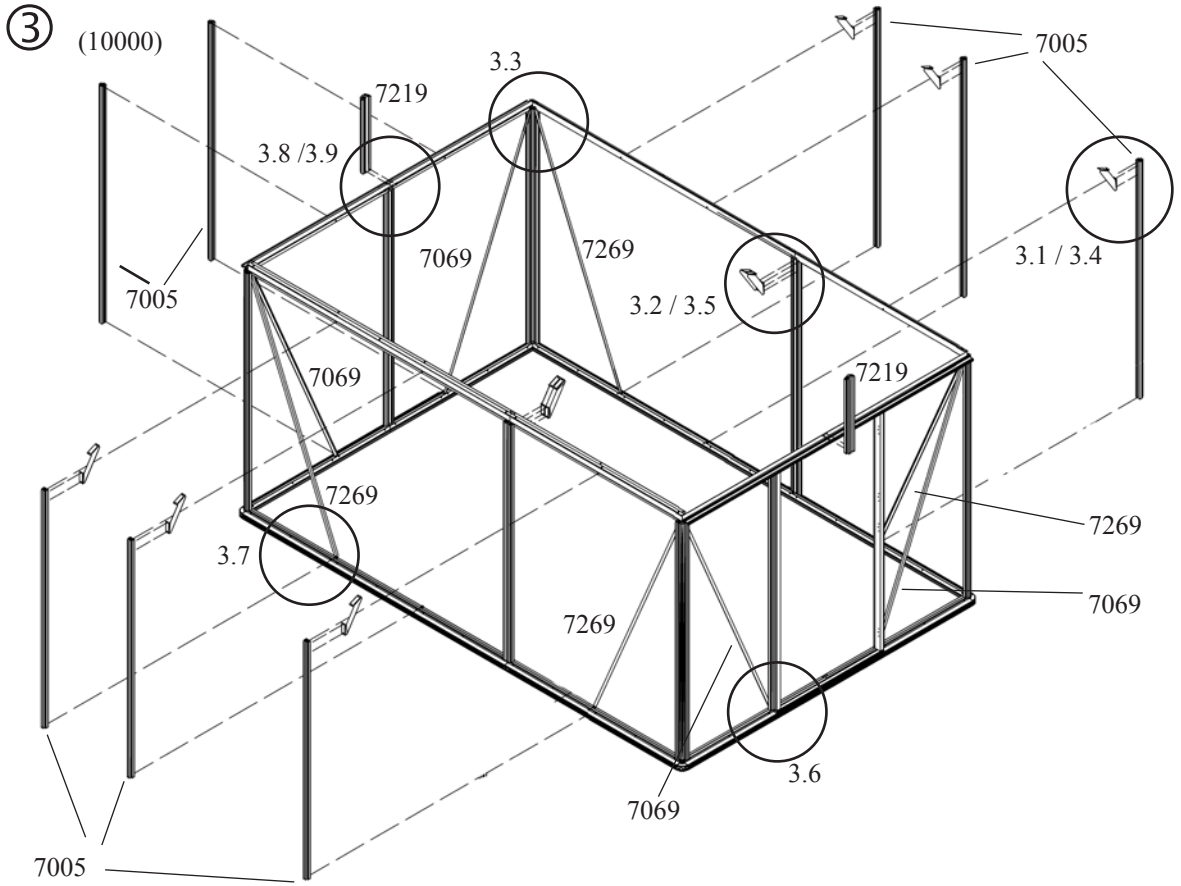
Assemble 7134 between corner bars 7236 at the front and rear of the house using bolts 7052 and nuts 7053 (2.6) (2.7). Connect middle bars, 7006 at the rear and 7045 and 7115 at the front, by inserting bolts 7052 into the bolt channels and connect to the sill bars and 7134 using nuts 7053 (2.2 - 2.5).



Middle Bars / Eave Angles

VM0009-Z2

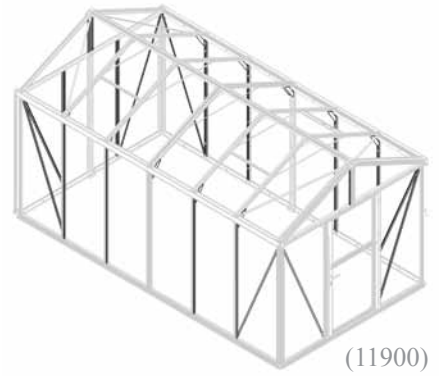
Model					
6200	8100	10000	11900	13800	15700
7005					
4x	6x	8x	10x	12x	14x
7052					
20x28x	36x	44x	52x	60x	
7053					
20x28x	36x	44x	52x	60x	
7063					
6x	8x	10x	12x	14x	16x
7069					
4x	4x	4x	4x	4x	4x
7219					
2x	2x	2x	2x	2x	2x
7269					
4x	4x	4x	4x	4x	4x



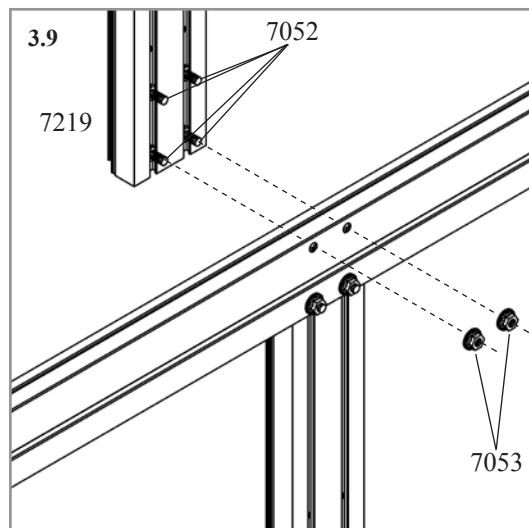
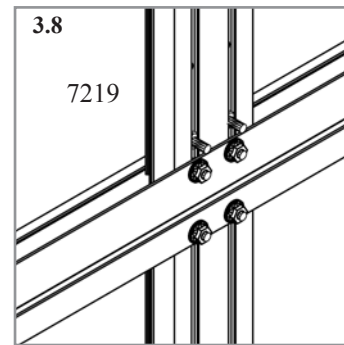
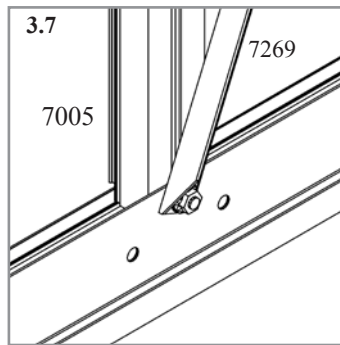
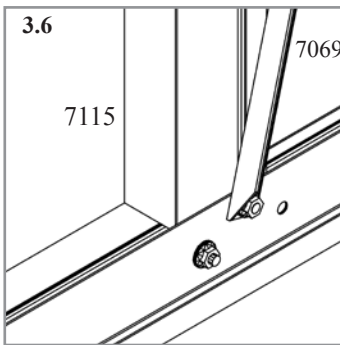
## MIDDLE BARS

### PLEASE NOTE ...

**In this assembly step the diagonal braces 7069 and 7269 will be assembled. To achieve this previous connections must be released. It can then appear as if the diagonal braces are too long or too short. If the house is then pulled in the required direction at the eave bar it will be possible to achieve the correct fit of all braces.**



Please take the following quantity of middle bars 7005: Model 6200 - 2, Model 8100 - 4, Model 10000 - 6, Model 11900 - 8, Model 13800 - 10, Model 15700 - 12: and insert two extra bolts 7052 into the bolt channels of each fixing them loosely with nuts 7053. Assemble these prepared 7005 in the side walls as shown in diagram ③. Use the extra bolts included in the bolt channels of middle bars 7005 and 7006 to loosely assemble the braces 7063 (3.1, 3.2, 3.4, 3.5). The exact height of 7063 will be adjusted later when the roof is assembled. At the rear of the house assemble the remaining middle bars 7005 as shown in ③. Assemble diagonal braces 7069 and 7269 (3.3) (3.6) (3.7). If they appear to have the wrong length adjust the house in the diagonal until they fit. Assemble the ridge support 7219 (3.8) (3.9) and include one extra bolt 7052 with nut 7053 in both of the bolt channels in 7219 (3.8) (4a.3).



# Middle Bars

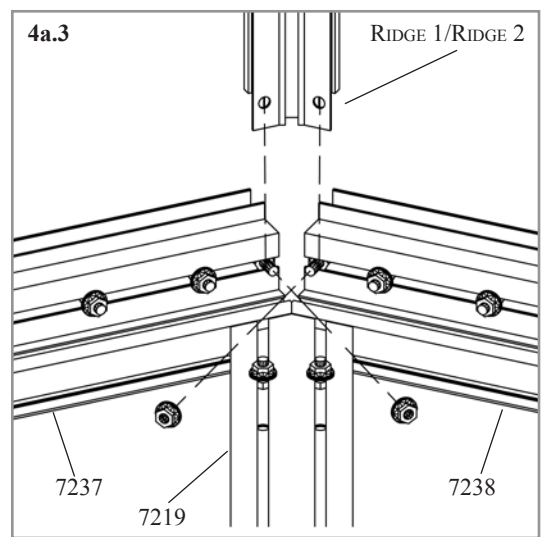
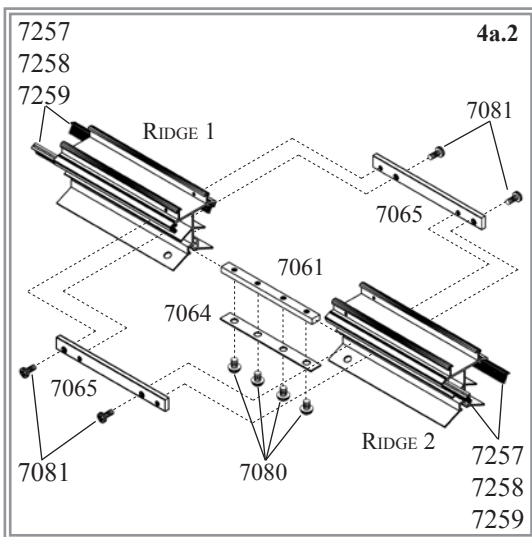
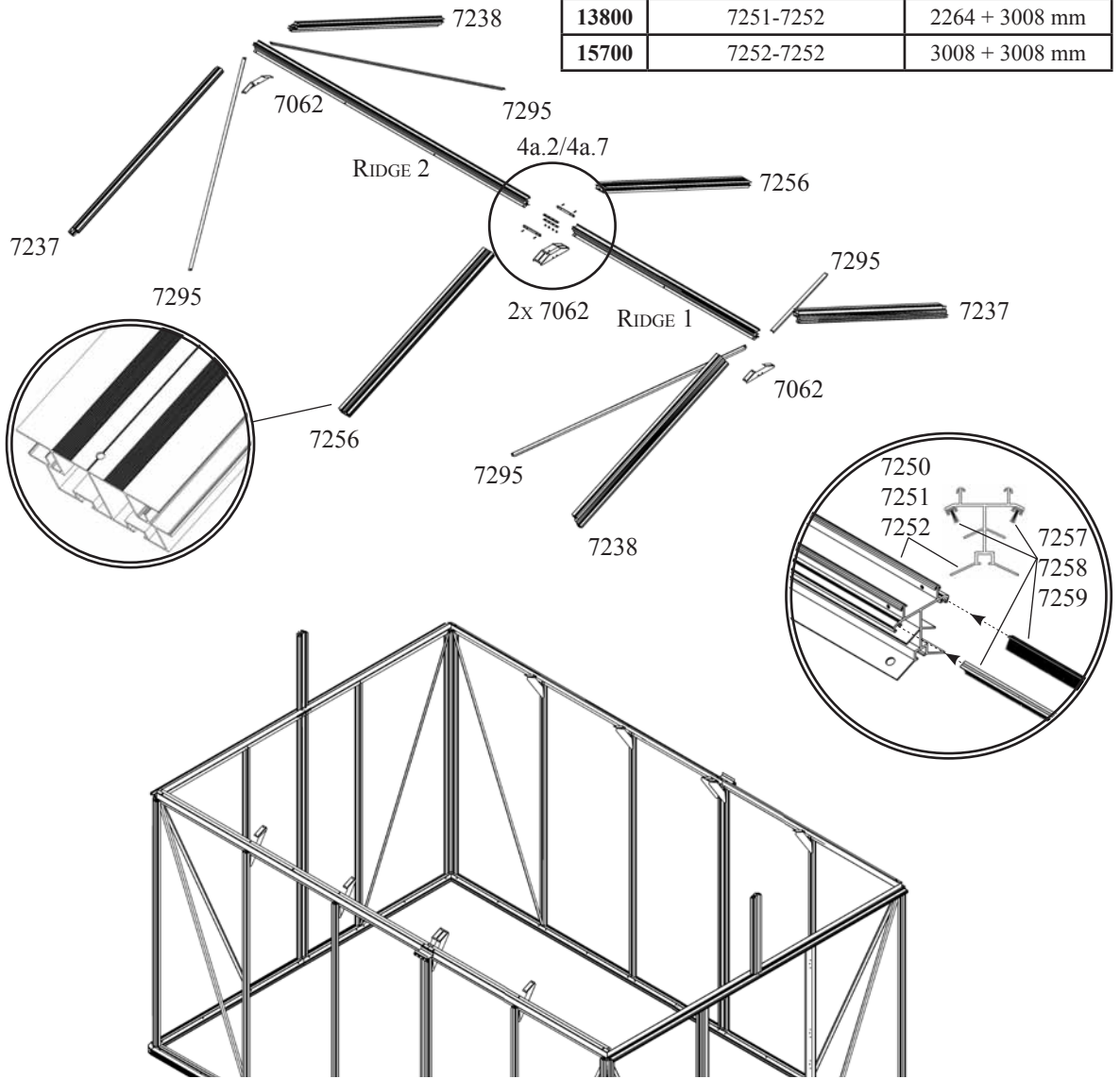
VM0009-Z2

# 4a

④ a (10000)

4A.1	RIDGE 1-RIDGE 2	LENGTH
6200	7253-7250	776 + 1520 mm
8100	7250-7250	1520 + 1520 mm
10000	7250-7251	1520 + 2264 mm
11900	7251-7251	2264 + 2264 mm
13800	7251-7252	2264 + 3008 mm
15700	7252-7252	3008 + 3008 mm

Model						
6200	8100	10000	11900	13800	15700	
7052						
40x40x40x40x40x40x						
7053						
40x40x40x40x40x40x						
7061						
1x 1x 1x 1x 1x 1x						
7062						
4x 4x 4x 4x 4x 4x						
7064						
1x 1x 1x 1x 1x 1x						
7065						
2x 2x 2x 2x 2x 2x						
7080						
4x 4x 4x 4x 4x 4x						
7081						
4x 4x 4x 4x 4x 4x						
7237						
2x 2x 2x 2x 2x 2x						
7238						
2x 2x 2x 2x 2x 2x						
7250						
1x 2x 1x - - -						
7251						
- - 1x 2x 1x -						
7252						
- - - - 1x 2x						
7253						
1x - - - - -						
7256						
2x 2x 2x 2x 2x 2x						
7257						
2x 4x 2x - - -						
7258						
- - 2x 4x 2x -						
7259						
- - - - 2x 4x						
7260						
2x - - - - -						
7295						
4x 4x 4x 4x 4x 4x						
<b>VM0009-Z2</b>						

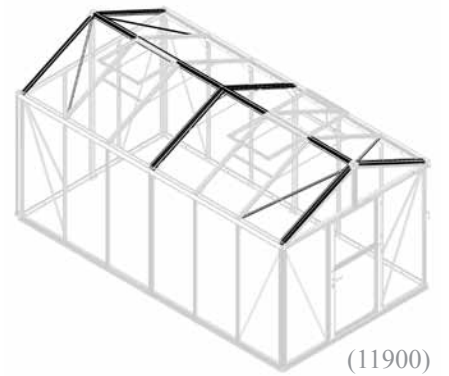


## GABEL / RIDGE BARS

PLEASE NOTE ...

This step will require 2 to 3 people to assemble. It is also advised to use two ladders.

Some nuts 7053 must be removed and reconnected to assemble new parts.



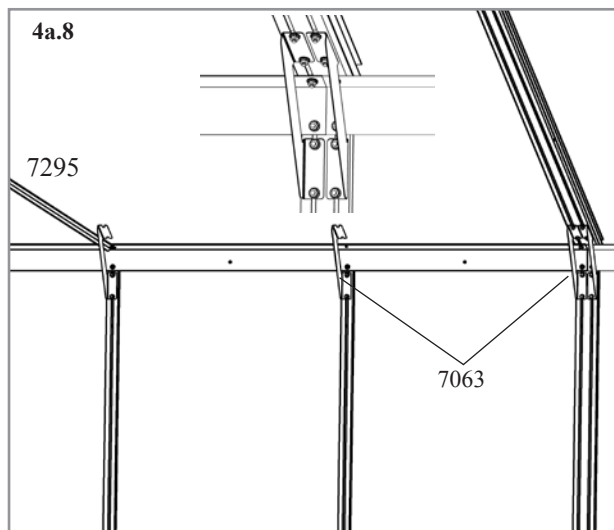
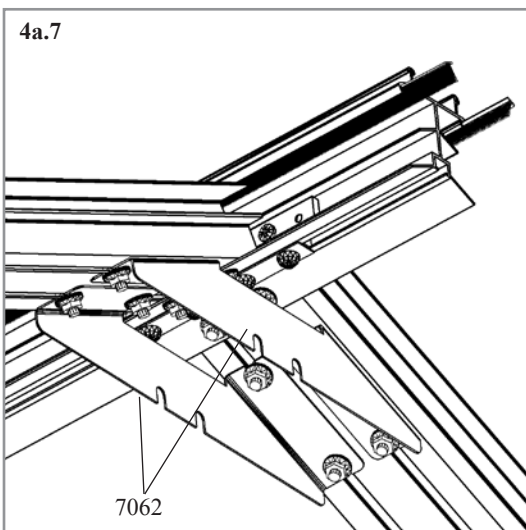
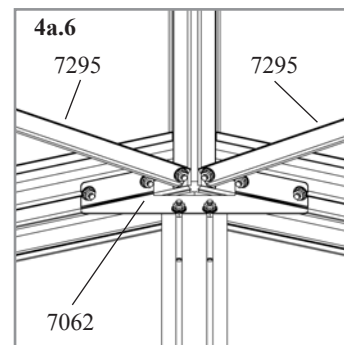
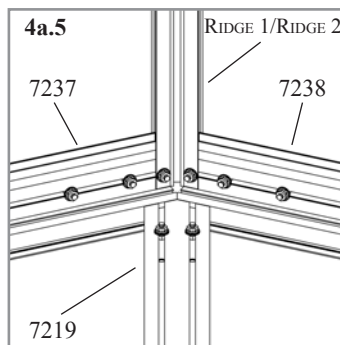
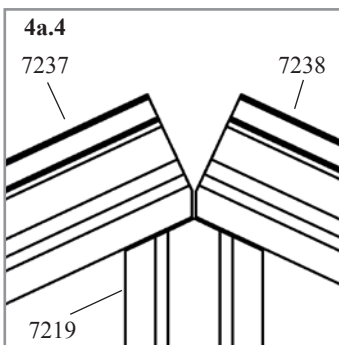
Begin by preparing the ridge bar using the ridge bar parts as listed in table 4a.1. Slide the plastic brush seals 7257, 7258, 7259 or 7260 as required into the channels on both sides of the ridge bars as shown. Connect both ridge bars using connection blocks 7061 / 7064 / 7080 and 7065 / 7081 (4a.2). Place the assembled ridge bar to the side.

Insert two extra bolts 7052 into the bolt channel in parts 7237 and 7238 and fix with nuts 7053 (4a.3). These are required to later assemble brace 7062.

Now rest 7237 and 7238 on ridge support 7219 (4a.3) (4a.4) and connect them to the eave angle using bolt 7052 and nut 7053.

Connect the prepared ridge bar assembly with roof corner bars 7237 and 7238 (4a.5). Connect brace 7062 using the prepared nuts and bolts in 7219, 7237 and 7238 (4a.6). Now assemble diagonal brace 7295 between the ridge (4a.6) and the eave angle (4a.8).

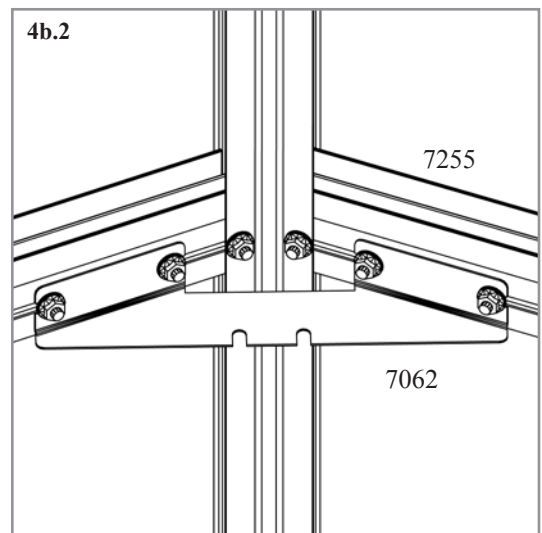
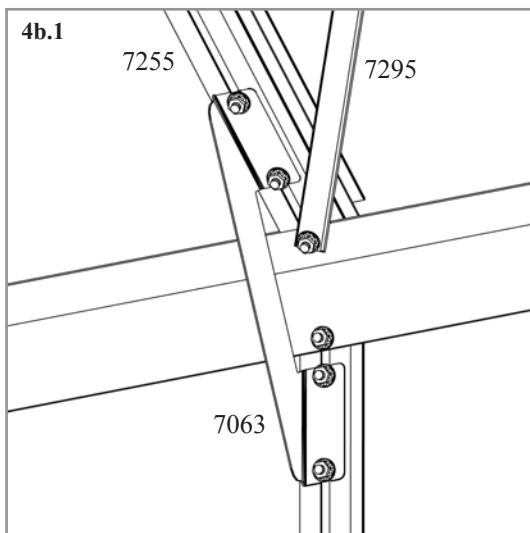
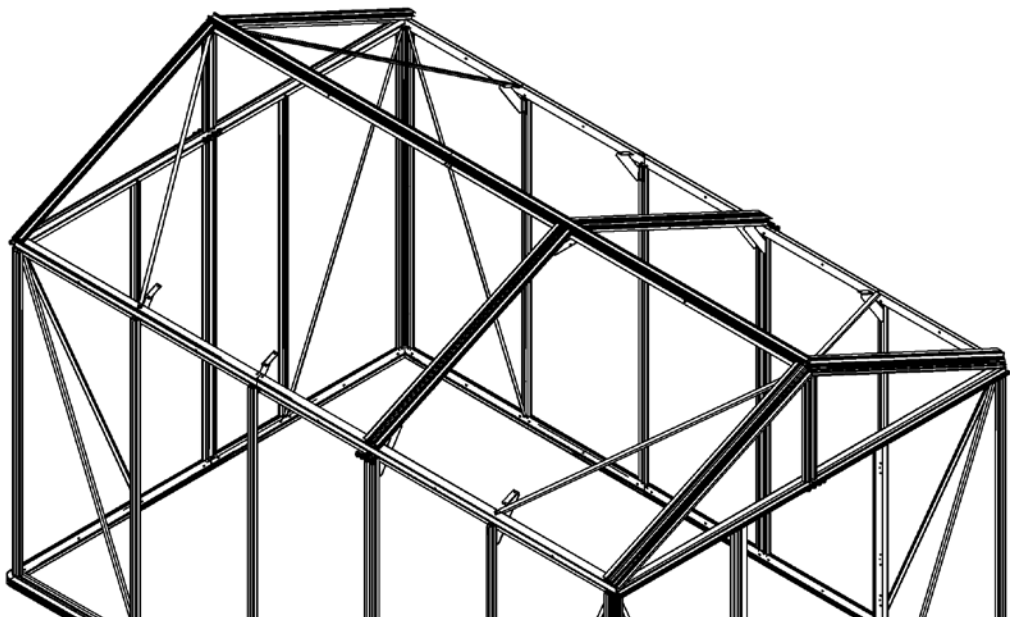
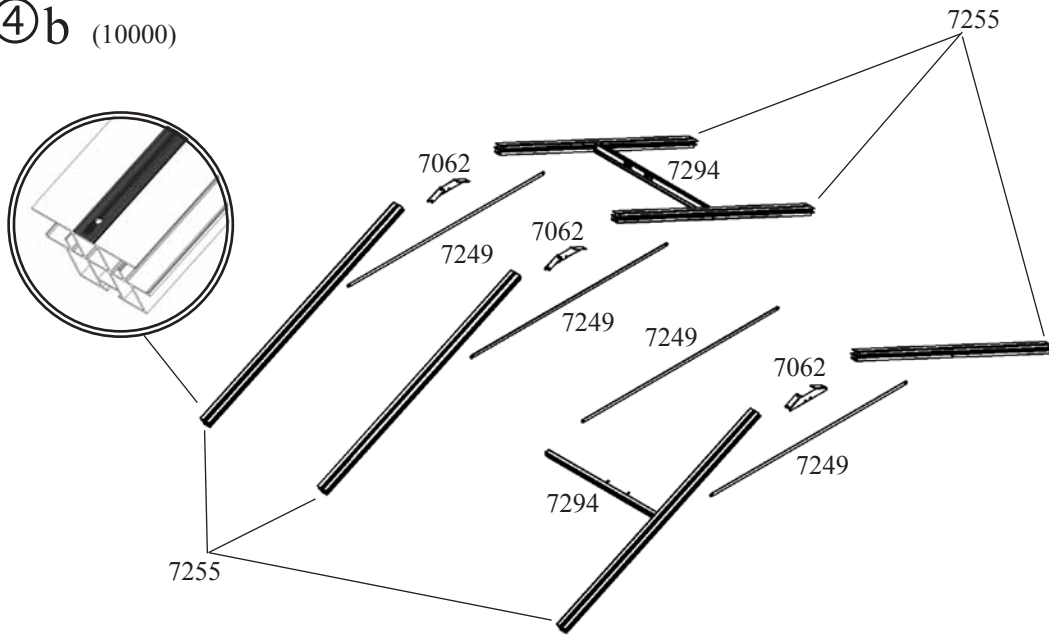
Prepare four extra nuts 7053 and bolts 7052 in each bolt channel of roof middle bar 7256 and assemble 7256 between the ridge and eave angle ④a. (Ensure the small hole on the outside surface of 7256 is at the eave bar.) Finally connect braces 7062 at the ridge (4a.7) and the prepared braces 7063 at the eave (4a.8).





# 4b

④b (10000)



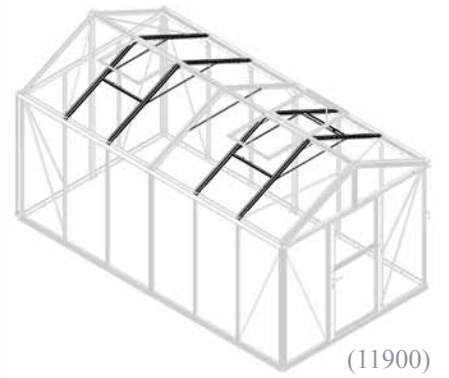
Model						
6200	8100	10000	11900	13800	15700	
1006						
8x	8x	8x	12x	12x	12x	
6056						
4x	4x	4x	6x	6x	6x	
7047						
-	2x	4x	4x	6x	8x	
7048						
-	-	1x	2x	2x	2x	
7052						
12x	24x	36x	48x	60x	72x	
7053						
12x	24x	36x	48x	60x	72x	
7054						
4x	4x	4x	6x	6x	6x	
7055						
4x	4x	4x	6x	6x	6x	
7062						
1x	2x	3x	4x	5x	6x	
7249						
2x	3x	4x	5x	6x	7x	
7255						
2x	4x	6x	8x	10x	12x	
7294						
2x	2x	2x	3x	3x	3x	

VM0009-Z2

# ROOF MIDDLE BARS

PLEASE NOTE ...

This step will require 2 to 3 people to assemble. It is also advised to use two ladders.



Begin by preparing the roof middle bars 7255 with four extra bolts 7052 in the bolt channel in each. Fix them in place loosely with nuts 7053.

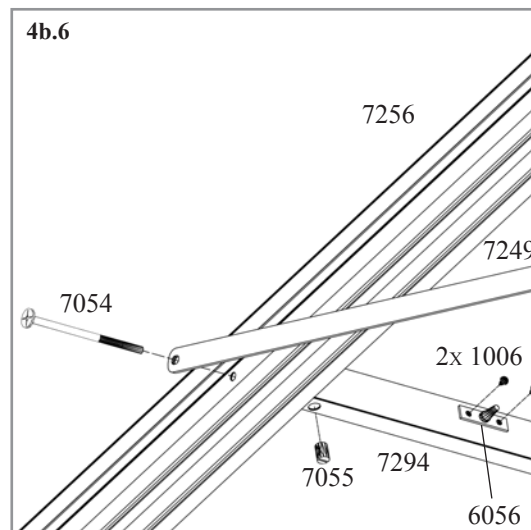
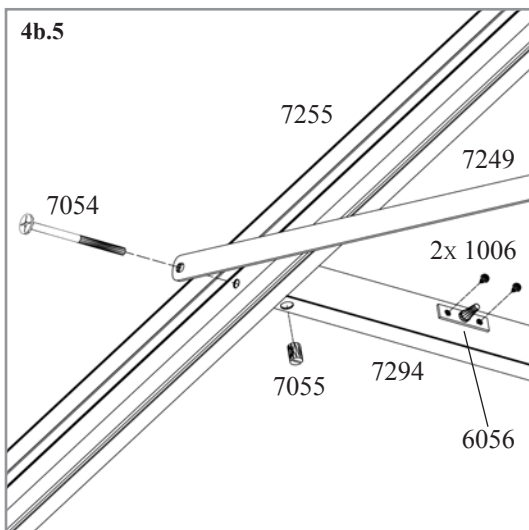
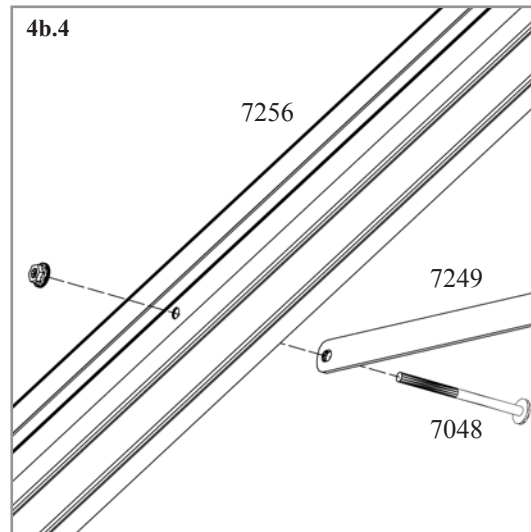
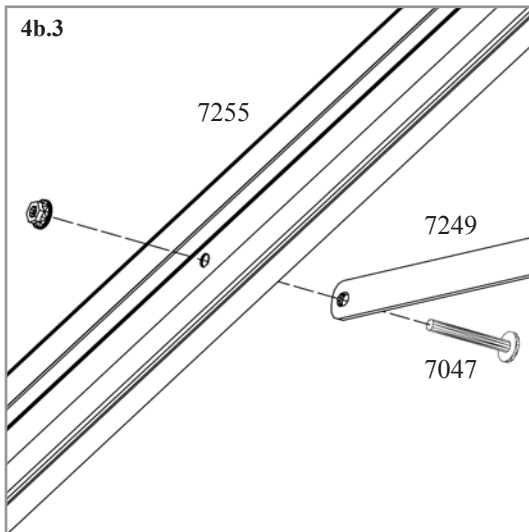
Assemble 7255 between the eave angle bar (4b.1) and ridge bar (4b.2), ④b. (Ensure the small hole on the outside surface of 7255 is at the eave bar.) Connect braces 7062 at the ridge (4b.2) and the prepared braces 7063 at the eave (4b.1).









Assemble the roof vent sill 7294 and roof braces 7249 in the desired sections where the roof vents will later be positioned (4b.5) (4b.6). (*Note: Roof vents must be positioned opposite to one another or with at least one complete section between them. They cannot be assembled in the corner roof sections.*)

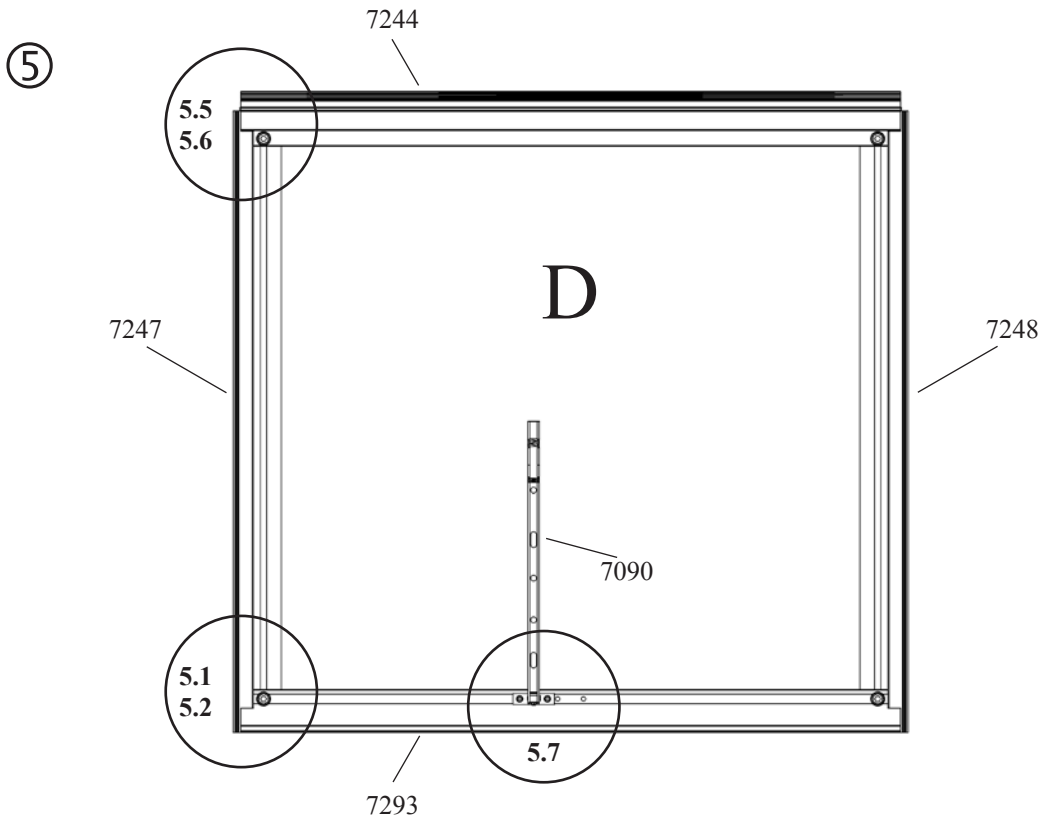
Connect the remaining roof braces 7249. (4b.3) (4b.4).

Assemble two roof vent fixers 6056 on each sill bar 7294 using screws 1006 (4b.5) (4b.6).

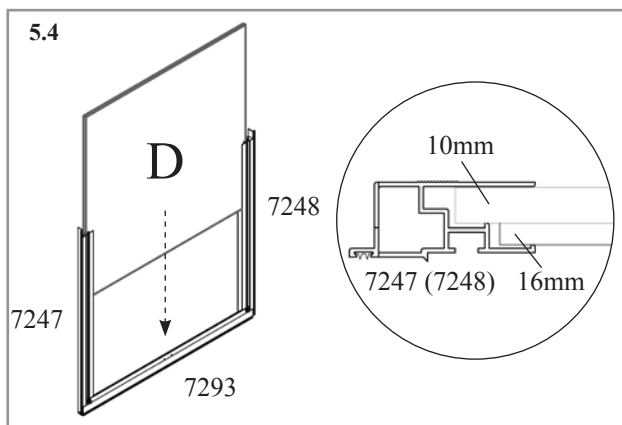
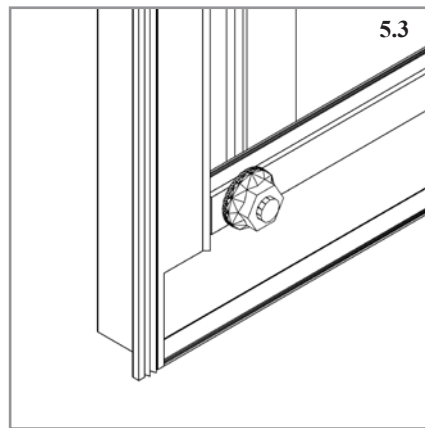
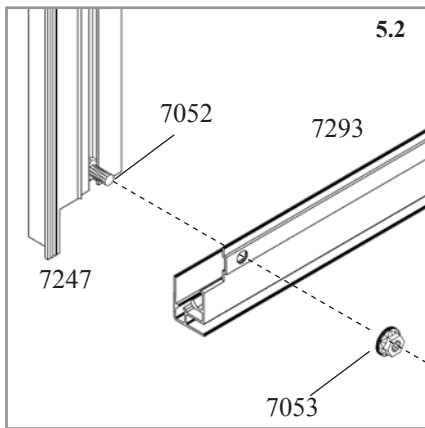
# Roof Middle Bars



Model					
6200	8100	10000	11900	13800	15700
2x	2x	2x	3x	3x	3x
1006 					
2x2	2x2	2x2	2x3	2x3	2x3
7052 					
4x2	4x2	4x2	4x3	4x3	4x3
7053 					
4x2	4x2	4x2	4x3	4x3	4x3
7090 					
1x2	1x2	1x2	1x3	1x3	1x3
7244 					
1x2	1x2	1x2	1x3	1x3	1x3
7247 (7291) 					
1x2	1x2	1x2	1x3	1x3	1x3
7248 (7291) 					
1x2	1x2	1x2	1x3	1x3	1x3
7293 					
1x2	1x2	1x2	1x3	1x3	1x3



5.1	POLYCARBONATE				QUANTITY / MODEL					
	10 MM		16 MM		6200	8100	10000	11900	13800	15700
	ART. NO.	MM	ART. NO.	MM						
D <input type="checkbox"/>	3695744	670 x 660	3695745	645 x 637	1x2	1x2	1x2	1x3	1x3	1x3

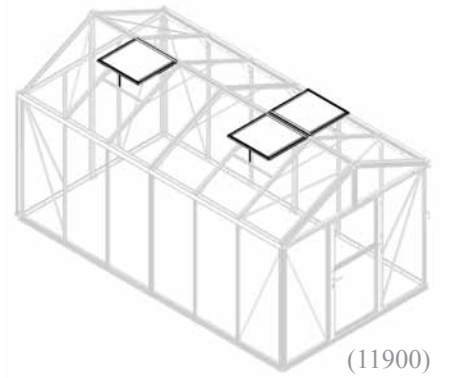




# ROOF VENTS

## PLEASE NOTE ...

**With the assembly of the roof vent the glazing must be inserted before the connection of hinge bar 7244.**



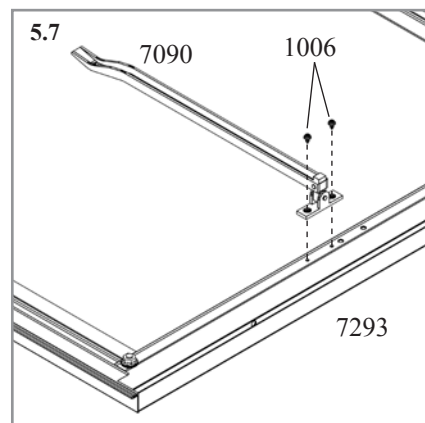
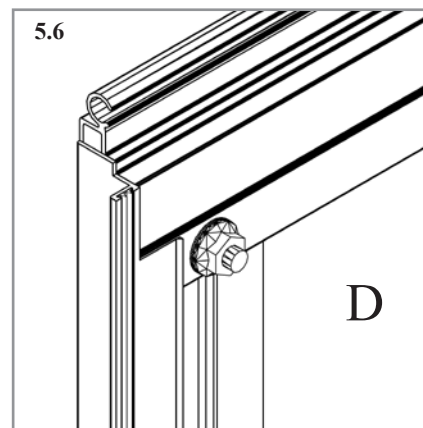
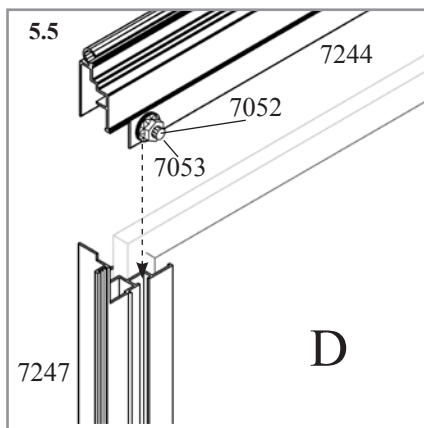
Connect roof vent bottom bar 7293 with side bars 7247 and 7248 using bolts 7052 and nuts 7053, as shown in ⑤ (5.2) (5.3).

Insert the appropriate glazing pane, see table 5.1, into the glazing channels in the assembled parts (5.4).

Prepare roof vent hinge bar 7244 by loosely inserting bolts 7052 and nuts 7053 at both ends (5.5). Insert the head of both 7052 into the bolt channels in 7247 and 7248 fitting the glazing into the glazing channels in 7244 (5.5) (5.6).

Check that the roof vent is right angular before tightening all bolts. **Please do not over tighten.**

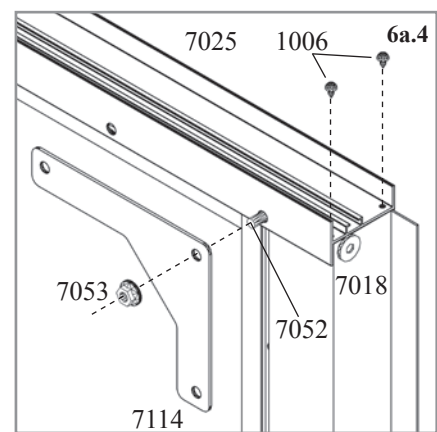
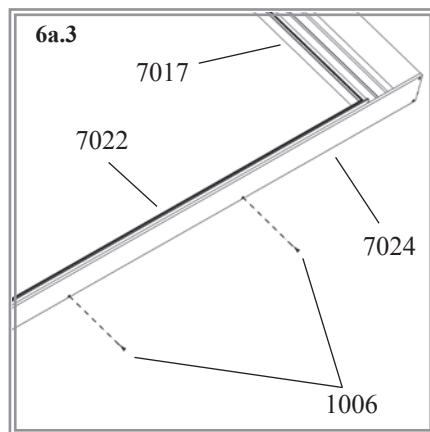
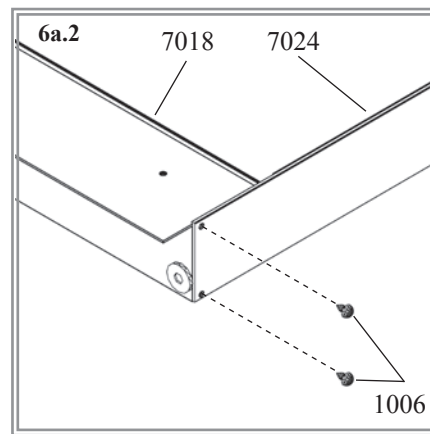
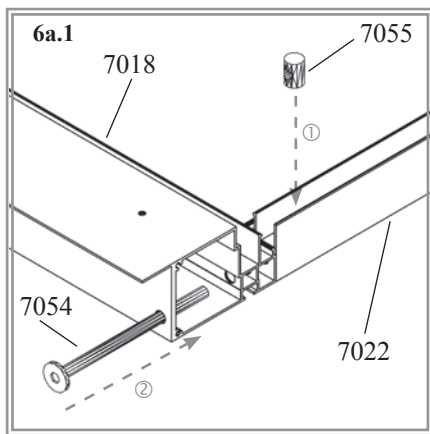
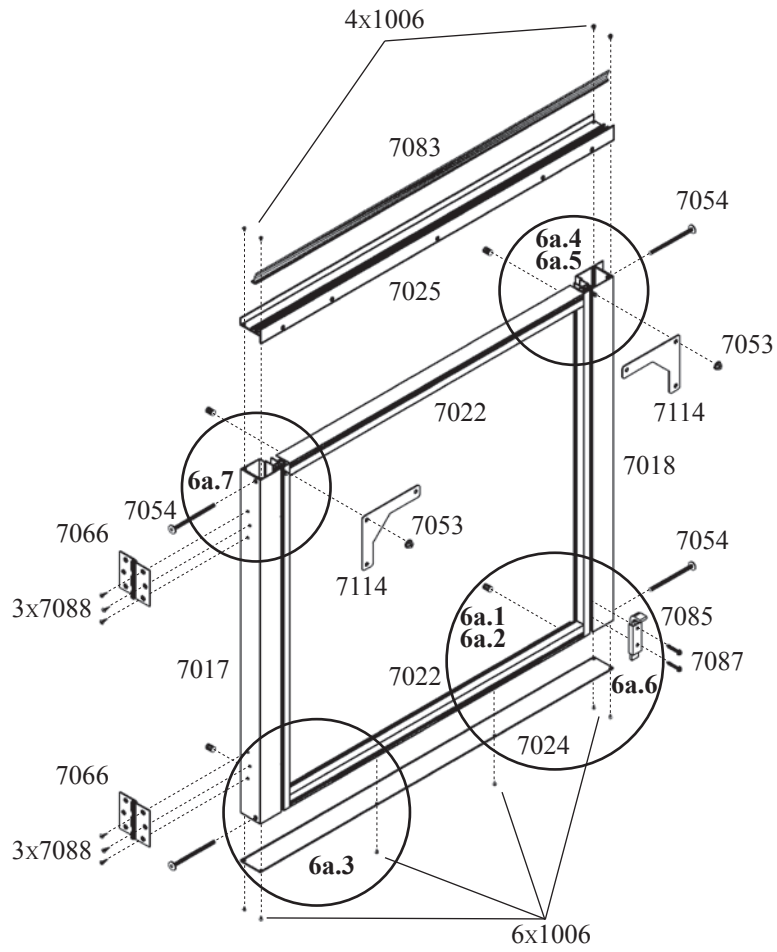
Connect roof vent lifter 7090 to the roof vent bottom bar 7293 using two screws 1006 (5.7).



# 6a

⑥a

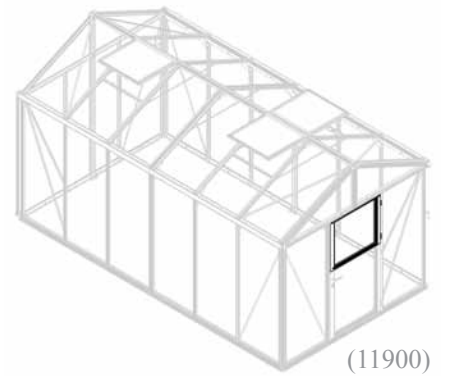
All Models	
1006 10x	
7017 1x	
7018 1x	
7022 2x	
7024 1x	
7025 1x	
7052 2x	
7053 2x	
7054 4x	
7055 4x	
7066 2x	
7083 1x	
7085 1x	
7087 2x	
7088 6x	
7114 2x	



# UPPER DOOR

## PLEASE NOTE ...

The glazing panes will be assembled in the doors in Section 7c.



Assemble the side bars 7017 and 7018 with the horizontal bars 7022 as shown in ©a. To connect the vertical bars to the horizontal bars insert cross dowels 7055 in the prepared holes in bars 7022 and pass bolts 7054 through the side bars (6a.1) (6a.2).

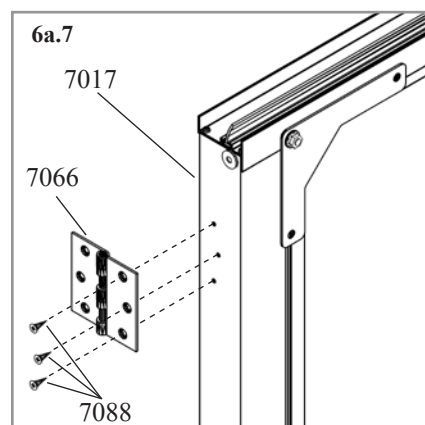
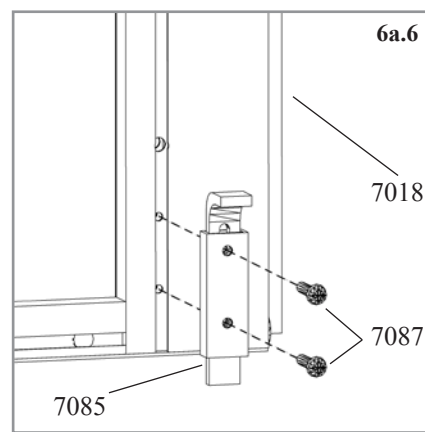
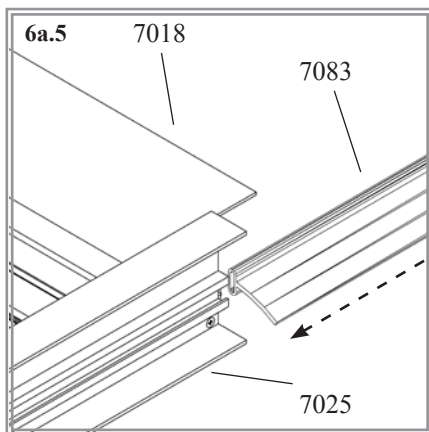
Note the prepared holes to connect latch 7085. Connect bottom cover 7024 at this end using six screws 1006 (6a.3).

Include one extra bolt 7052 in the bolt channel of both door side bars 7017 and 7018. Connect top cover 7025 using the prepared bolts, door braces 7114 and four screws 1006 (6a.4).

Slide door seal 7083 into the channel in top cover 7025 (6a.5).

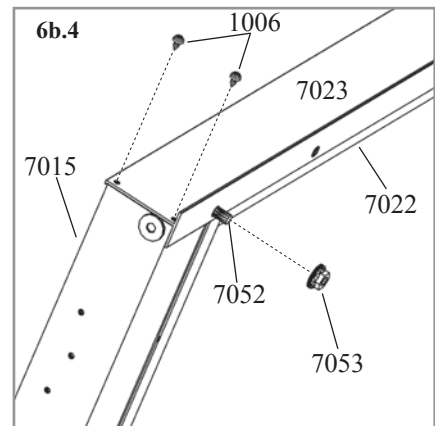
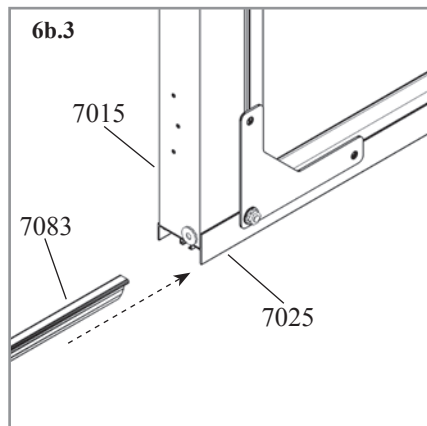
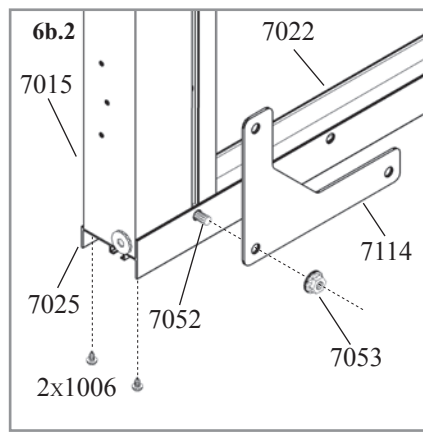
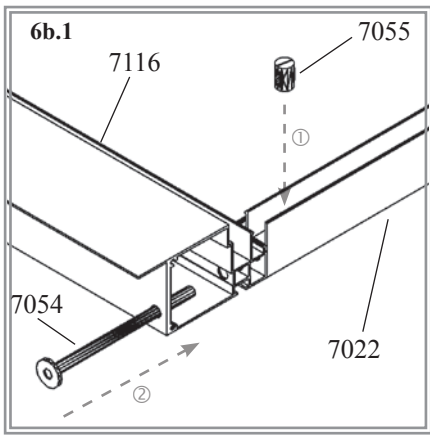
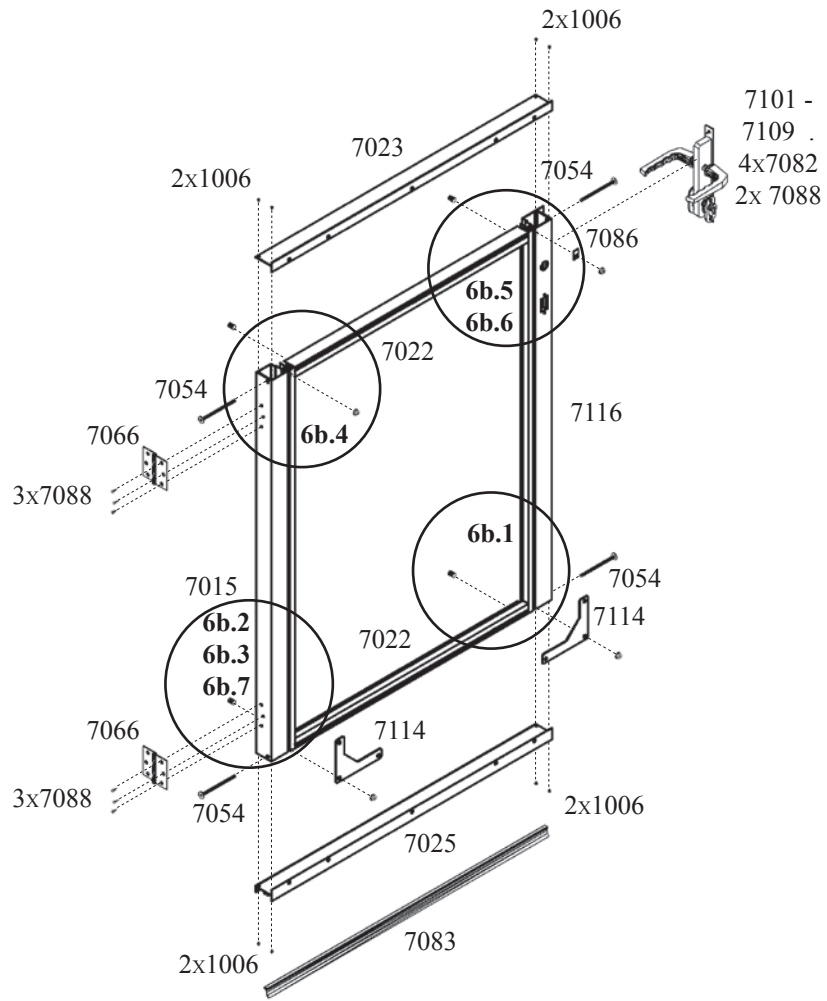
Connect door latch 7085 using screws 7087 to side bar 7018 (6a.6).

Connect door hinges to side bar 7017 using screws 7088 (6a.7).



# 6b

⑥b



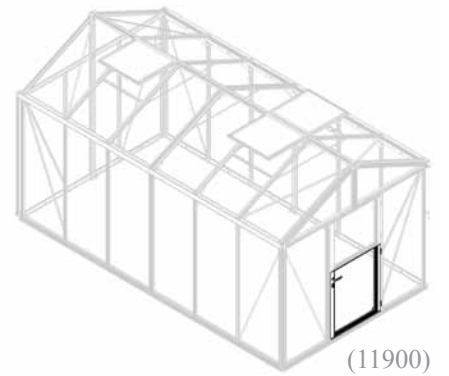
All Models	
1006 8x	
7015 1x	
7022 2x	
7023 1x	
7025 1x	
7052 4x	
7053 4x	
7054 4x	
7055 4x	
7066 2x	
7082 4x	
7083 1x	
7086 1x	
7088 8x	
7101 1x	
7102 1x	
7103 2x	
7104 2x	
7106 2x	
7107 1x	
7108 2x	
7109 1x	
7114 2x	
7116 1x	

VM0009-Z2

# LOWER DOOR

## PLEASE NOTE ...

The glazing panes will be assembled in the doors in Section 7c.



Assemble the side bars 7015 and 7116 with the horizontal bars 7022 as shown in ©b. To connect the vertical bars to the horizontal bars insert cross dowels 7055 in the prepared holes in bars 7022 and pass bolts 7054 through the side bars (6b.1) (6b.2).

Include two extra bolts 7052 in the bolt channel of both door side bars 7015 and 7116 (6b.2) (6b.4) (6b.5).

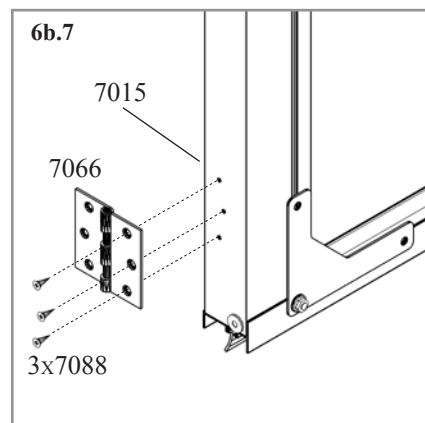
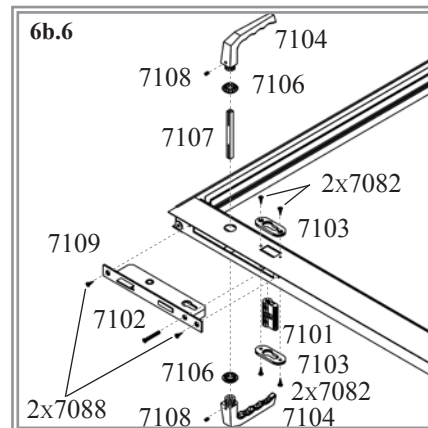
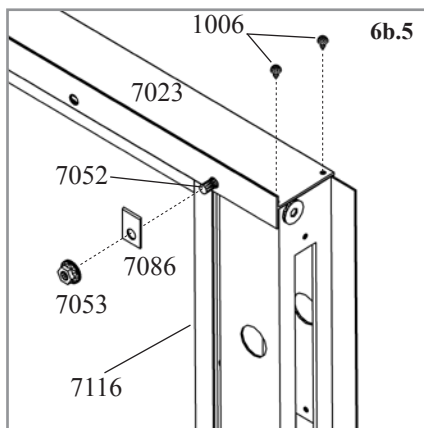
Connect bottom cover 7025 using the prepared bolts, door braces 7114 and four screws 1006 (6b.2).










Slide door seal 7083 into the channel in bottom cover 7025 (6b.3).








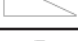

Connect top cover 7023 using the prepared bolts 7052 and four screws 1006. Additionally connect door latch plate 7086 to side bar 7116 and cover 7023 and fix with nut 7053 (6b.5).

Assemble the door lock 7101 to 7109 using screws 7082 & 7088 (6b.6).

Connect door hinges 7066 to side bar 7015 using screws 7088 (6b.7).



7.1	POLYCARBONATE						QUANTITY / MODEL					
	6 MM (ROOF 10MM)		10 MM		16 MM		6200	8100	10000	11900	13800	15700
	ART. NO.	MM	ART. NO.	MM	ART. NO.	MM						
A 	3695711	725 x 1790	3695712	725 x 1790	3695713	725 x 1790	10x	12x	14x	16x	18x	20x
B 	3695726	725 x 1368	3695726	725 x 1368	3695727	710 x 1368	4x	6x	8x	9x	11x	13x
C 	3695736	725 x 699	3695736	725 x 699	3695737	710 x 691	2x	2x	2x	3x	3x	3x
D 	3695744	670 x 660	3695744	670 x 660	3695745	645 x 637	2x	2x	2x	3x	3x	3x
E 	3695751	725 x 966	3695752	725 x 966	3695753	725 x 966	1x	1x	1x	1x	1x	1x
F 	3695761	725 x 683	3695762	725 x 683	3695763	725 x 683	1x	1x	1x	1x	1x	1x
G 	3695771	1190x567/15	3695772	1190x567/15	3695773	1190x567/15	2x	2x	2x	2x	2x	2x
H 	3695781	1190x567/15	3695782	1190x567/15	3695783	1190x567/15	2x	2x	2x	2x	2x	2x
J 	3695791	435 x 1790	3695792	435 x 1790	3695793	435 x 1790	2x	2x	2x	2x	2x	2x
<b>TOTAL</b>							<b>26x</b>	<b>30x</b>	<b>34x</b>	<b>39x</b>	<b>43x</b>	<b>47x</b>

7.2	GLASS / POLYCARBONATE		QUANTITY / MODEL					
	≤ 4 MM / 10MM		6200	8100	10000	11900	13800	15700
	ART. NO.	MM						
A 	367801	725 x 1790	10x	12x	14x	16x	18x	20x
B 	3695726	725 x 1368 x 10	4x	6x	8x	9x	11x	13x
C 	3695736	725 x 699 x 10	2x	2x	2x	3x	3x	3x
D 	3695744	670 x 660 x 10	2x	2x	2x	3x	3x	3x
E 	367805	725 x 966	1x	1x	1x	1x	1x	1x
F 	367806	725 x 683	1x	1x	1x	1x	1x	1x
G 	367807	1190x567/15	2x	2x	2x	2x	2x	2x
H 	367808	1190x567/15	2x	2x	2x	2x	2x	2x
J 	367809	435 x 1790	2x	2x	2x	2x	2x	2x
<b>TOTAL</b>			<b>26x</b>	<b>30x</b>	<b>34x</b>	<b>39x</b>	<b>43x</b>	<b>47x</b>

## GLAZING PLAN

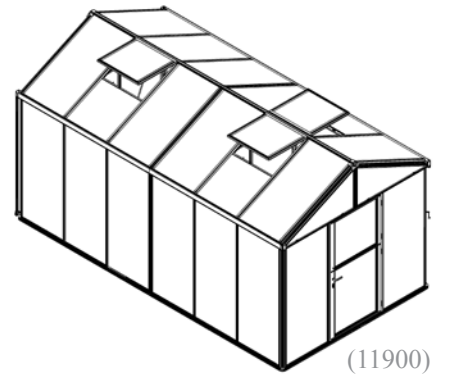
### PLEASE NOTE ...

The following steps will require 2 to 3 people to assemble.

Always wear protective glasses, gloves, shoes and headgear when assembling the glazing.

Assemble the panes in the order 7a - 7b - 7c as shown.

The outside surface of the polycarbonate panes is identified by a plastic film and / or printing at the edge.



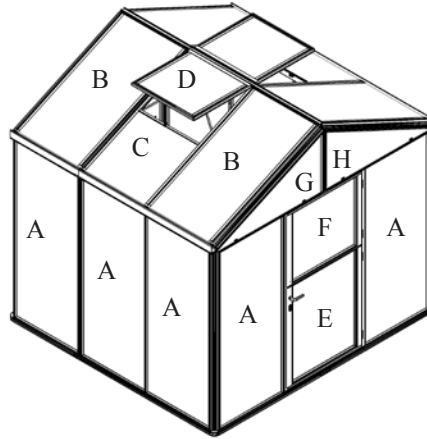
Please sort the glazing according to your model size and glazing type, tables 7.1 or 7.2, before beginning.



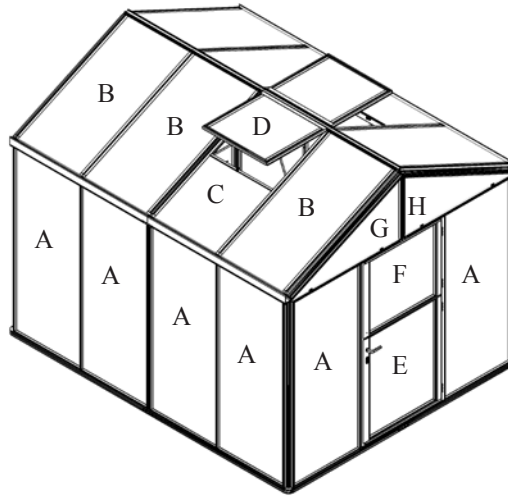
*The UV-resistant side of the polycarbonate panes is indicated by a plastic film and / or printing at the edge. This side must face outside. Loosen the film approximately 2cm at all edges of each pane before assembly. When the assembly of all panes is finished completely remove all film from the panes.*

Model						
6200	8100	10000	11900	13800	15700	
A						
10x	12x	14x	16x	18x	20x	
B						
4x	6x	8x	9x	11x	13x	
C						
2x	2x	2x	3x	3x	3x	
D						
2x	2x	2x	3x	3x	3x	
E						
1x	1x	1x	1x	1x	1x	
F						
1x	1x	1x	1x	1x	1x	
G						
2x	2x	2x	2x	2x	2x	
H						
2x	2x	2x	2x	2x	2x	
J						
2x	2x	2x	2x	2x	2x	

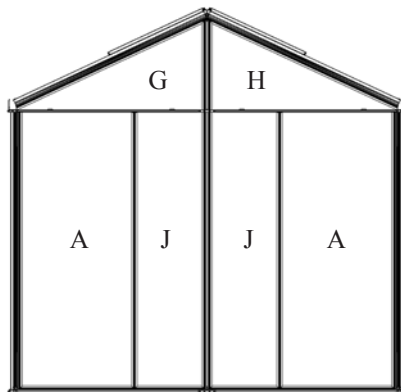
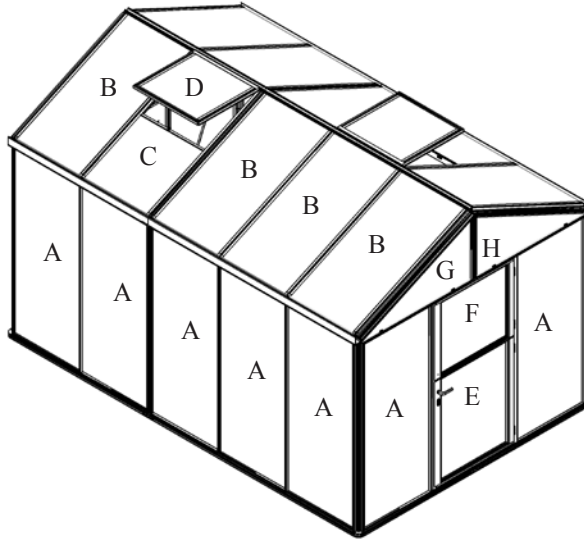
(6200)



(8100)



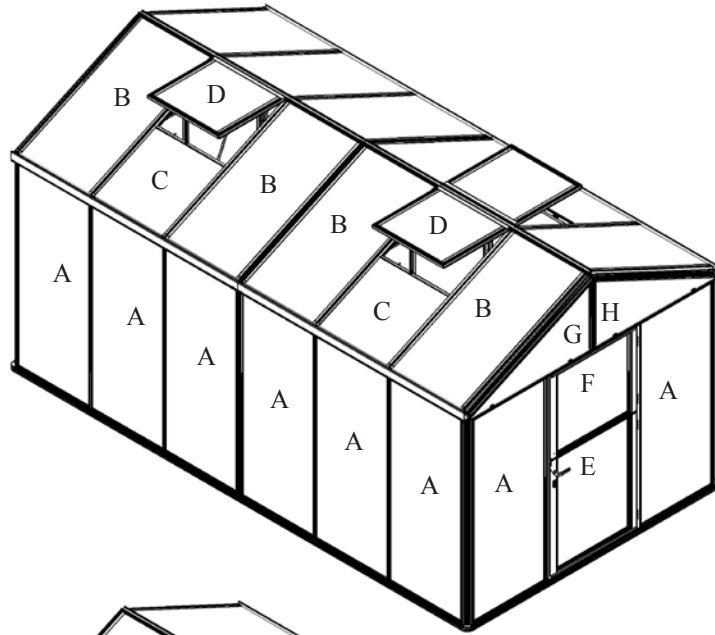
(10000)



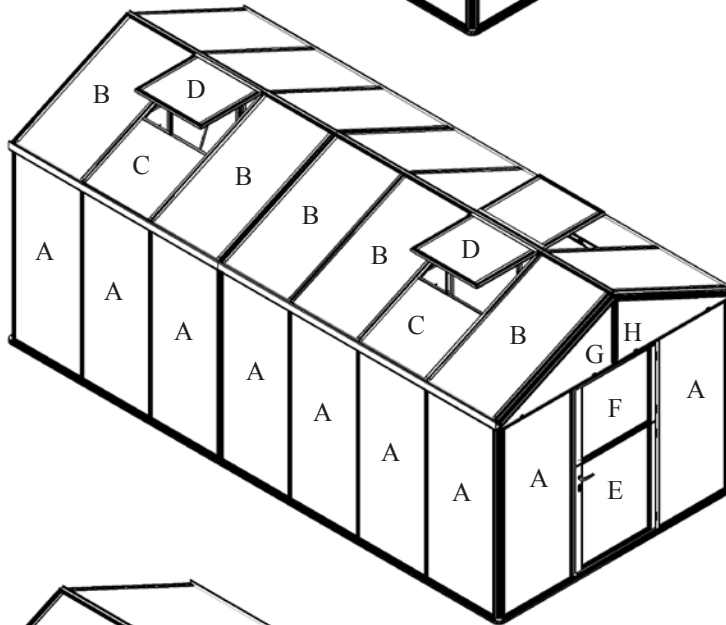
Back Gabel - all models



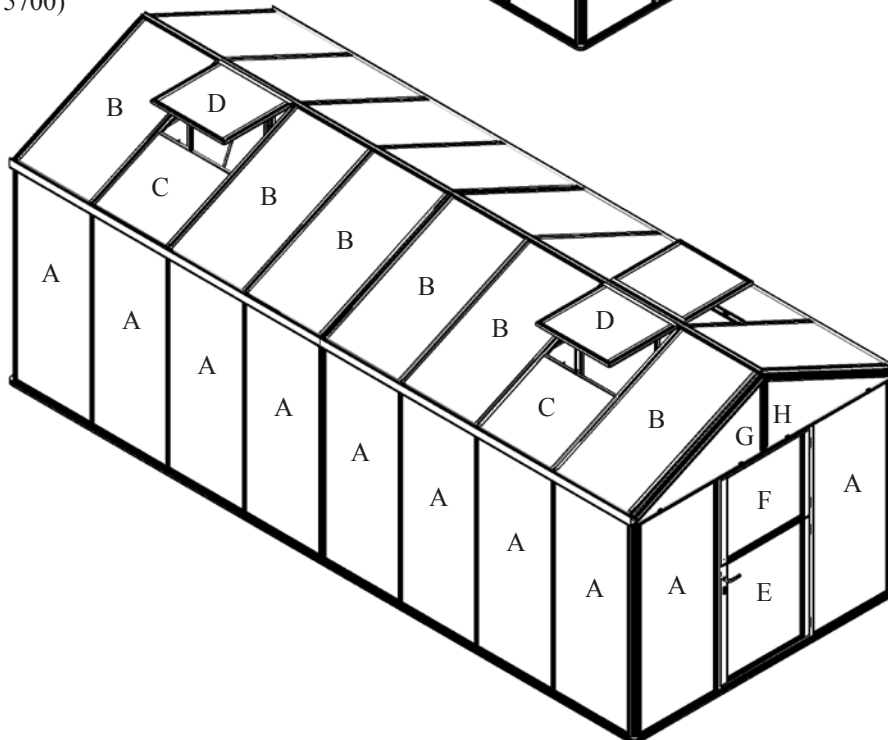
(11900)



(13800)



(15700)



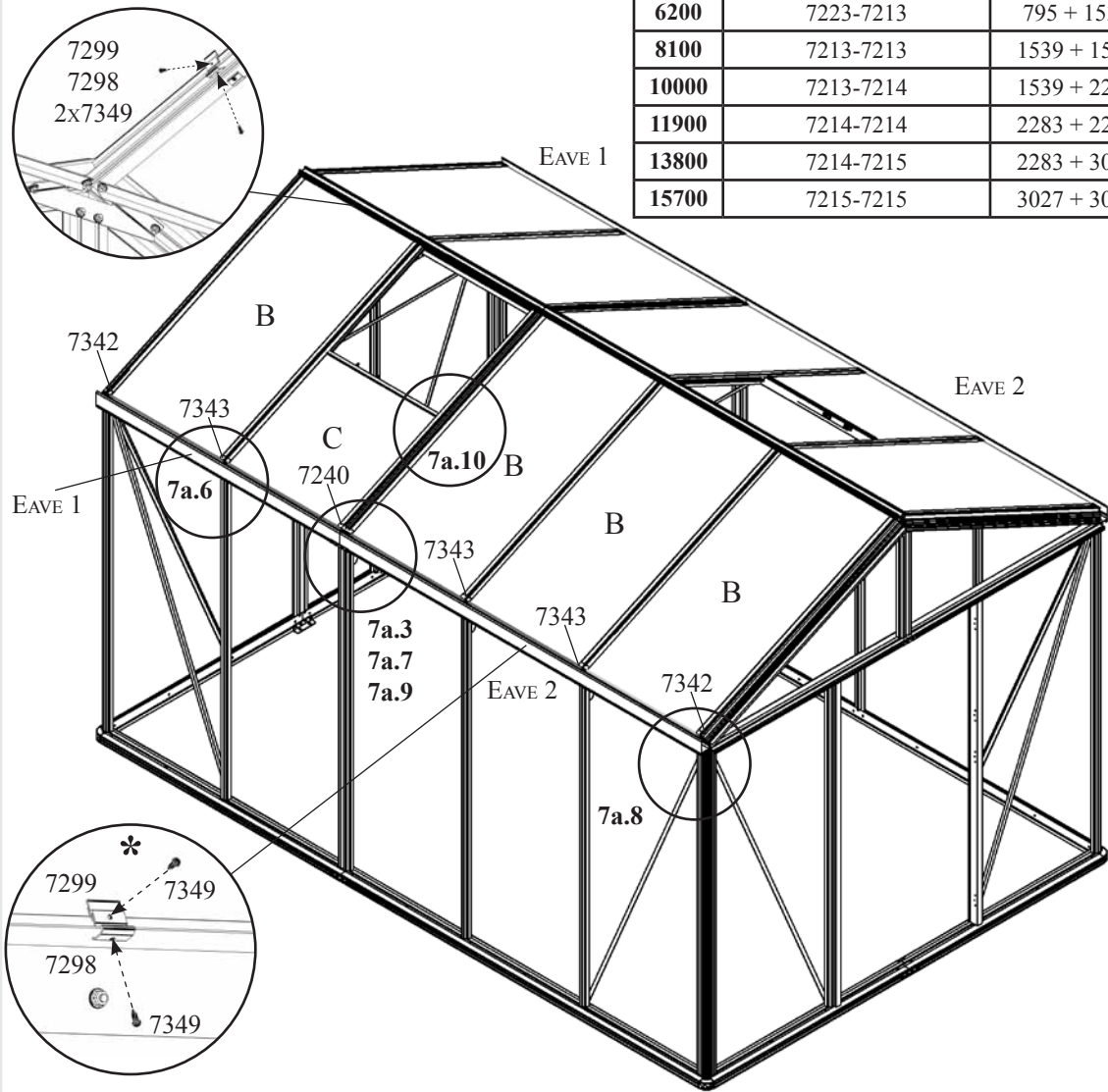
# Glazing

VM0009-Z2

# 7a

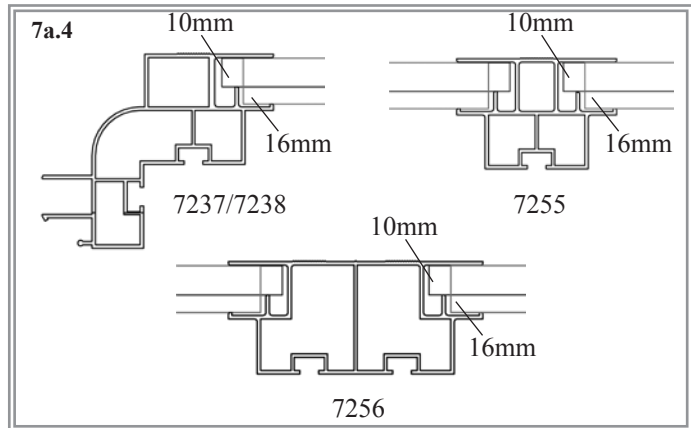
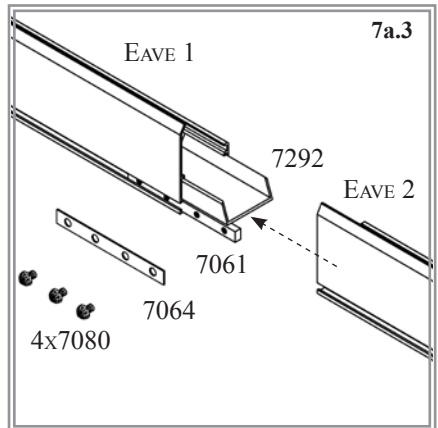
Model					
6200	8100	10000	11900	13800	15700
7052					
6x	8x	10x	12x	14x	16x
7053					
6x	8x	10x	12x	14x	16x
7061					
2x	2x	2x	2x	2x	2x
7064					
2x	2x	2x	2x	2x	2x
7080					
8x	8x	8x	8x	8x	8x
7213					
2x	4x	2x	-	-	-
7214					
-	-	2x	4x	2x	-
7215					
-	-	-	-	2x	4x
7223					
2x	-	-	-	-	-
7240					
2x	2x	2x	2x	2x	2x
7292					
2x	2x	2x	2x	2x	2x
7296					
6x	8x	10x	12x	14x	16x
7297					
6x	8x	10x	12x	14x	16x
7298*					
10x	14x	18x	21x	25x	29x
7299*					
10x	14x	18x	21x	25x	29x
7342					
4x	4x	4x	4x	4x	4x
7343					
2x	4x	6x	8x	10x	12x
7349					
34x	46x	58x	68x	80x	92x

(10000)



7a.1	EAVE 1-EAVE 2	LENGTH
6200	7223-7213	795 + 1539 mm
8100	7213-7213	1539 + 1539 mm
10000	7213-7214	1539 + 2283 mm
11900	7214-7214	2283 + 2283 mm
13800	7214-7215	2283 + 3027 mm
15700	7215-7215	3027 + 3027 mm

7a.2	POLYCARBONATE				QUANTITY / MODEL					
	10 MM		16 MM		6200	8100	10000	11900	13800	15700
	ART. NO.	MM	ART. NO.	MM						
B	3695726	725 x 1368	3695727	710 x 1368	4x	6x	8x	9x	11x	13x
C	3695736	725 x 699	3695737	710 x 691	2x	2x	2x	3x	3x	3x



VM0009-Z2

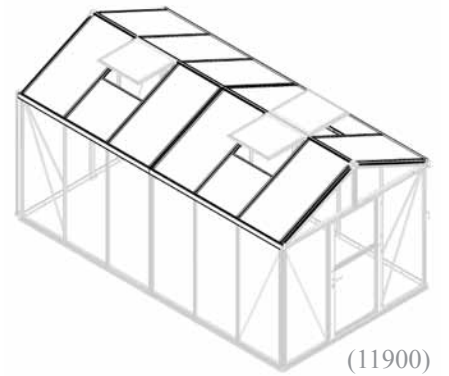
# GLAZING ROOF / EAVE

PLEASE NOTE ...

This step will require 2 to 3 people to assemble.

Always wear protective glasses, gloves, shoes and headgear when assembling the glazing.

The outside surface of the polycarbonate panes is identified by a plastic film and / or printing at the edge.



(11900)

Assemble the eave bars according to table 7a.1. Connect them by sliding connecting block 7061 into the channels in the eave bars and fix them in place using plates 7064 and screws 7080. Ensure join plastic 7292 is centered at the join (7a.3).

Slide the roof glazing into the guides in the roof profiles (7a.4). When two adjacent panes are in place, screw glazing stops 7240, 7342 or 7343 onto the roof profile between them using the prepared holes and self drilling screws 7349 (7a.6). The panes should slide down to rest against these stops.

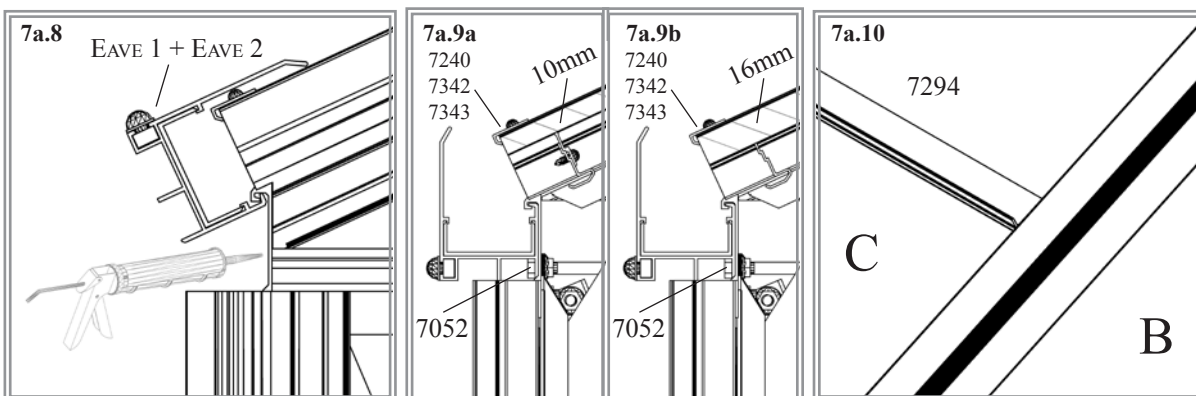
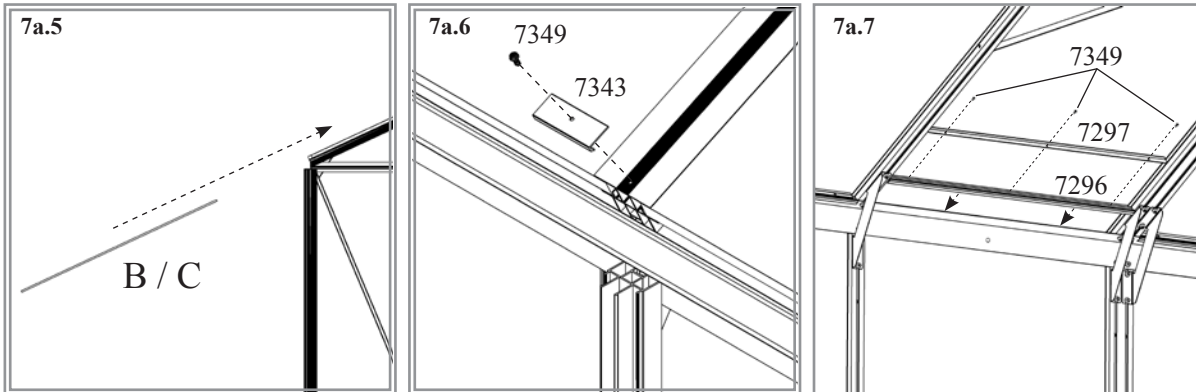
Insert glazing spacers 7296 over the inside edge of the eave angle (7a.7). If you have 10mm glazing then position spacer 7297 into the groove in 7296, resting against the pane. Fix in place using the prepared holes and screws 7349 (7a.7) (7a.9a). 16mm glazing does not require spacer 7297 (7a.9b).

In the roof vent sections slide glazing pane C into the guides in profile 7294 (7a.10).

Either angle the eave bar assembly into the eave angle (7a.8) and turn it down to rest against the eave angle, or slide it in from both ends and join. (Neutral silicone is not provided.)

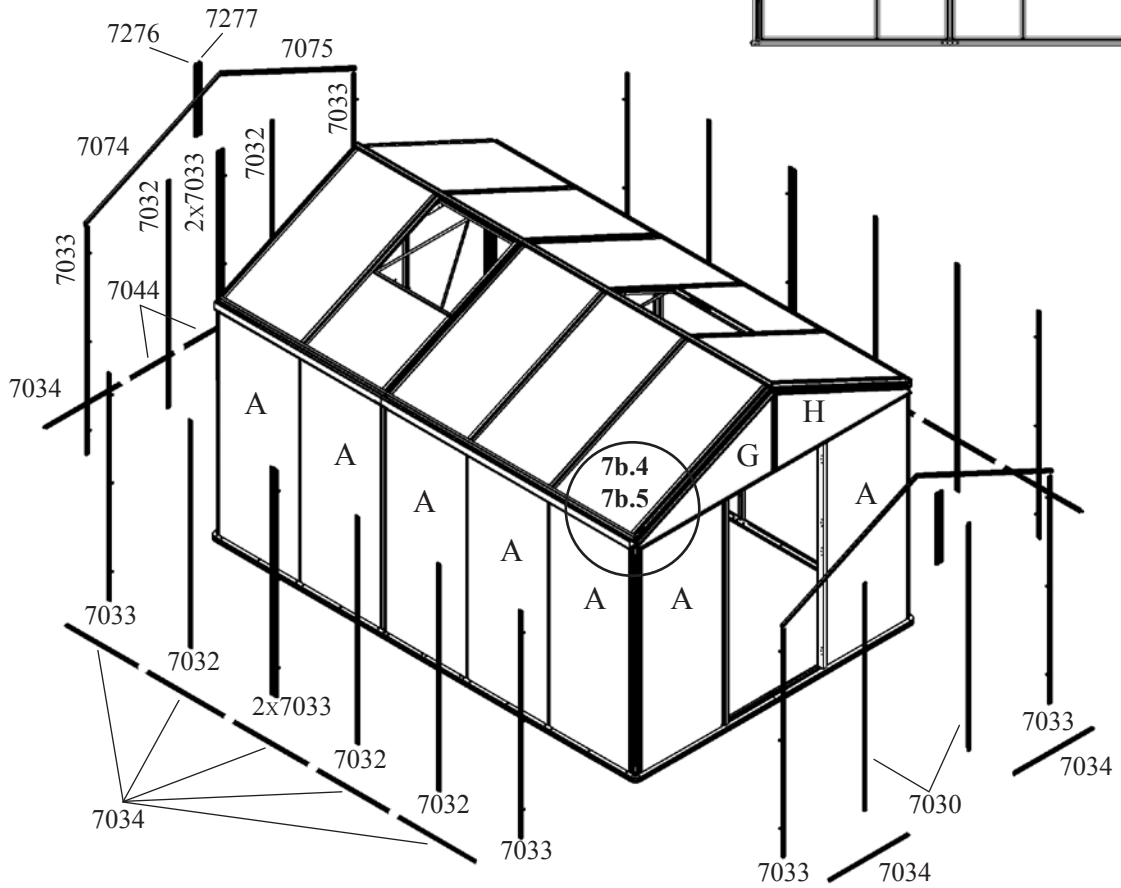
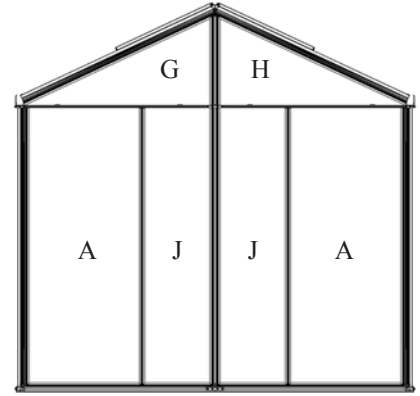
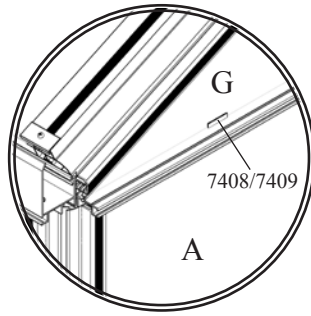
Connect it to the eave angle using bolts 7052 from outside and nuts 7053 inside the house (7a.9).

*\* The formation of condensation is unavoidable in a greenhouse with polycarbonate plates, however it may be reduced by exchanging the parts (7296 / 7297) with (7298 / 7299). This will allow increased ventilation inside and thereby reduce the condensation. Please fix (7298 / 7299) in the middle of each field at the eave using screws (7349).*



# 7b

(10000)



Model					
6200	8100	10000	11900	13800	15700
6090					
1x	1x	1x	1x	1x	1x
7030					
2x	2x	2x	2x	2x	2x
7032					
4x	6x	8x	10x	12x	14x
7033					
14x	14x	14x	14x	14x	14x
7034					
10x	12x	14x	16x	18x	20x
7044					
2x	2x	2x	2x	2x	2x
7050					
114x	126x	138x	150x	162x	174x
7053					
114x	126x	138x	150x	162x	174x
7074					
2x	2x	2x	2x	2x	2x
7075					
2x	2x	2x	2x	2x	2x
7276					
2x	2x	2x	2x	2x	2x
7277					
2x	2x	2x	2x	2x	2x
7406					
12x	14x	16x	18x	20x	22x
7407					
12x	14x	16x	18x	20x	22x
7408					
8x	8x	8x	8x	8x	8x
7409					
8x	8x	8x	8x	8x	8x

7b.1	GLASS	POLYCARBONATE				QUANTITY / MODEL						
		≤ 4 MM	6 MM	10 MM	16 MM	MM	6200	8100	10000	11900	13800	15700
		ART. NO.	ART. NO.	ART. NO.	ART. NO.		6200	8100	10000	11900	13800	15700
A		367801	3695711	3695712	3695713	725 x 1790	10x	12x	14x	16x	18x	20x
G		367807	3695771	3695772	3695773	1190x567/15	2x	2x	2x	2x	2x	2x
H		367808	3695781	3695782	3695783	1190x567/15	2x	2x	2x	2x	2x	2x
J		367809	3695791	3695792	3695793	435 x 1790	2x	2x	2x	2x	2x	2x

VM0009-Z2

# GLAZING SIDE

PLEASE NOTE ...

This step will require 2 to 3 people to assemble.

Always wear protective glasses, gloves, shoes and headgear when assembling the glazing.

The outside surface of the polycarbonate panes is identified by a plastic film and / or printing at the edge.

For  $\leq 4\text{mm}$  glass the glazing rubber 6090 is required. With Polycarbonate the glazing rubber is not required.

Spacers 7406-7409 are not required with glass or 16mm glazing.

If glazing with  $\leq 4\text{mm}$  glass, press glazing rubber 6090 onto the aluminium profiles (7b.2) and cut to length.

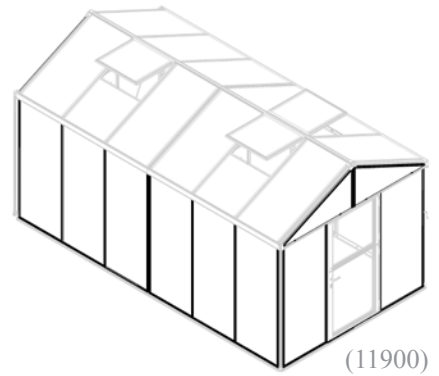
Through the positioning of the 7050 bolt head in the different guides in the glazing cappings, it is possible to glaze the greenhouse with  $\leq 4\text{mm}$ , 6mm, 10mm or 16mm panes (7b.2).

Prepare 3 bolts 7050 in each glazing capping as shown (7b.3). Cappings 7044 require only 2 bolts 7050.

Prepare 1 spacer, (6mm 7406 / 10mm 7407), in the middle / top of pane A or J (7b.4). Position each glazing pane A or J into the frame and connect the vertical cappings loosely with nuts 7053. Lift the pane 15mm and connect cappings 7034 or 7044 loosely under the pane.

Prepare 2 spacers, (6mm 7408 / 10mm 7409), onto 7134 (7b.5). Position panes G and H onto the spacers and connect cappings 7074, 7075, 7276 and 7277 loosely.

Check that the greenhouse is completely right angular before tightening all bolts. **Please do not over tighten.**

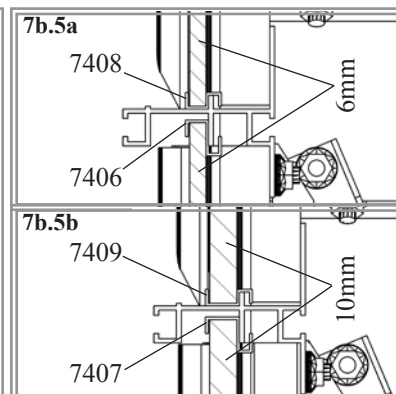
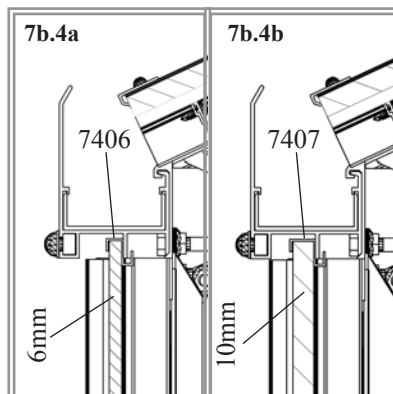
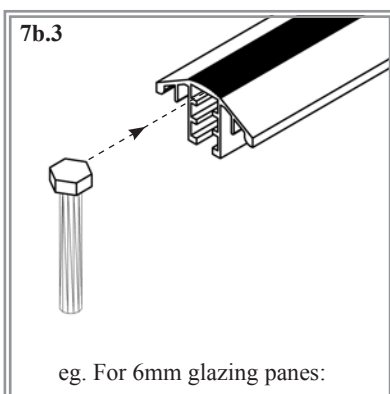
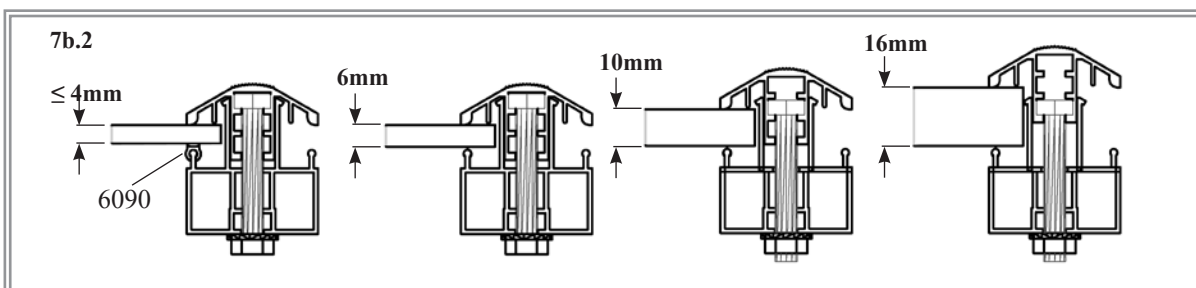


(11900)

# Glazing Side



*The vertical cappings can be best assembled when the bottom bolt is first inserted into the hole, then the middle and finally the top bolt. Ensure that the capping remains in contact with the sill bar.*

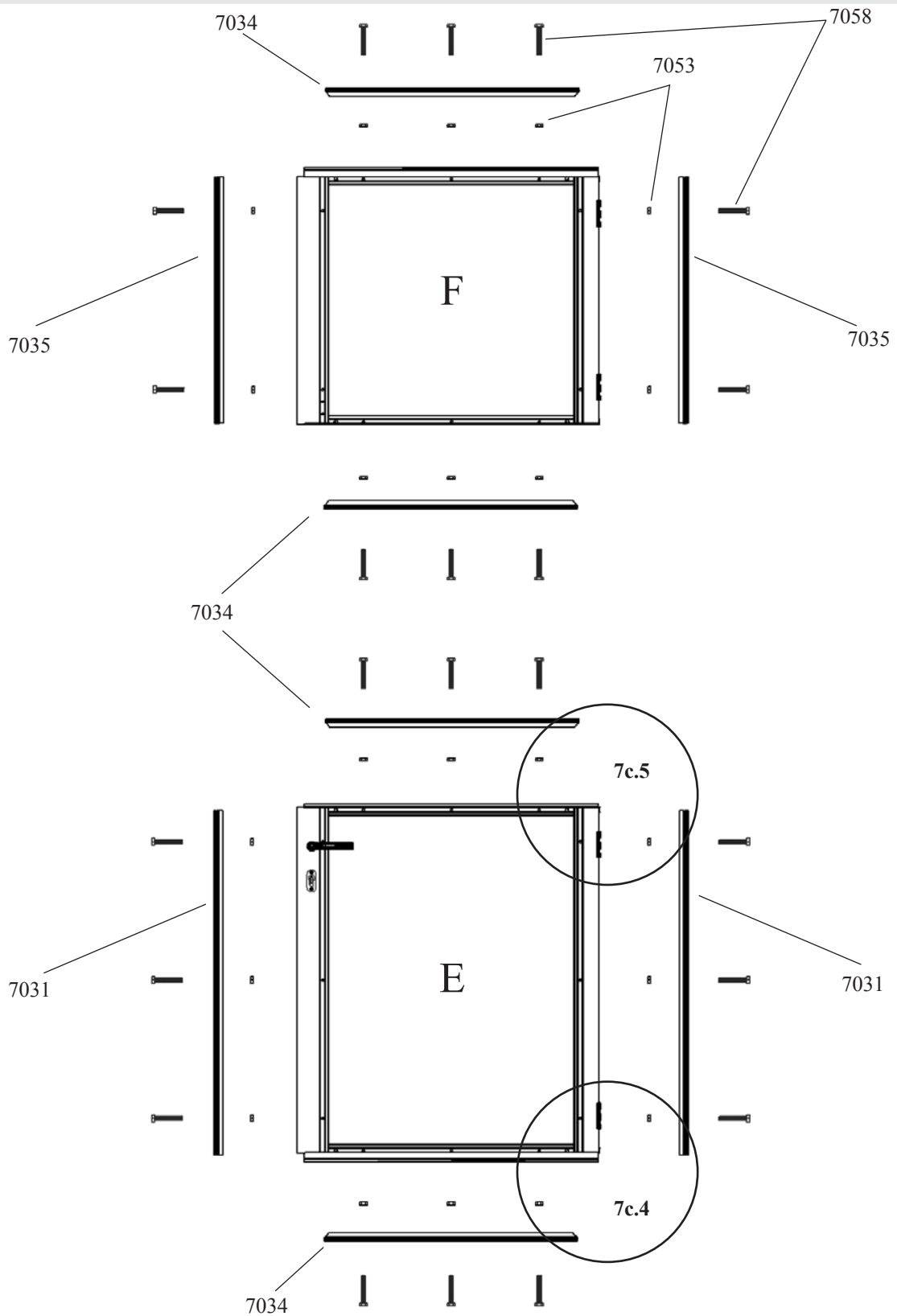


VM0009-Z2



# 7c

All Models	
6090 1x	
7031 2x	
7034 4x	
7035 2x	
7053 22x	
7058 22x	
<b>E</b> 1x	
<b>F</b> 1x	



7c.1	GLASS	POLYCARBONATE				QUANTITY / MODEL					
		≤ 4 MM	6 MM	10 MM	16 MM	6200	8100	10000	11900	13800	15700
		ART. No.	ART. No.	ART. No.	ART. No.						
<b>E</b>	367805	3695751	3695752	3695753	725 x 966	1x	1x	1x	1x	1x	1x
<b>F</b>	367806	3695761	3695762	3695763	725 x 683	1x	1x	1x	1x	1x	1x

VM0009-Z2

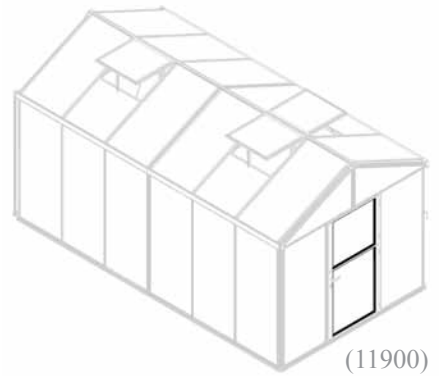
# GLAZING DOOR

## PLEASE NOTE ...

Always wear protective glasses, gloves, shoes and headgear when assembling the glazing.

The outside surface of the polycarbonate panes is identified by a plastic film and / or printing at the edge.

For  $\leq 4\text{mm}$  glass the glazing rubber 6090 is required. With Polycarbonate the glazing rubber is not required.



If glazing with  $\leq 4\text{mm}$  glass, press glazing rubber 6090 onto the aluminium profiles (7c.2) and cut to length.

Through the positioning of the 7058 bolt head in the different guides in the glazing cappings, it is possible to glaze the doors with  $\leq 4\text{mm}$ , 6mm, 10mm or 16mm panes (7c.2).

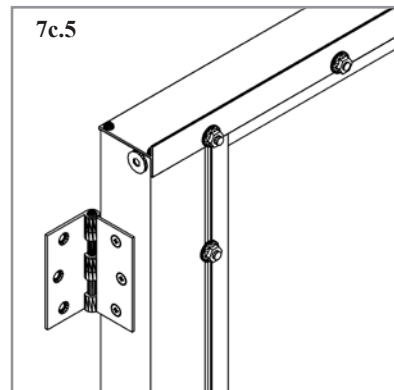
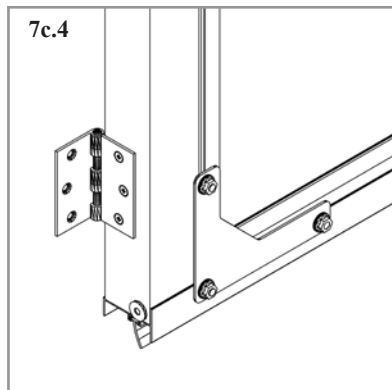
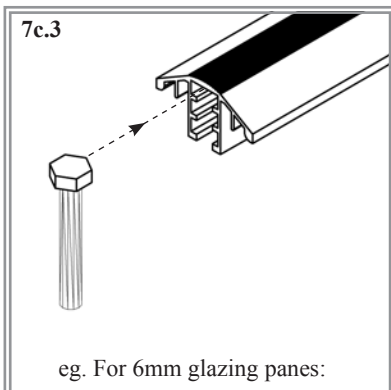
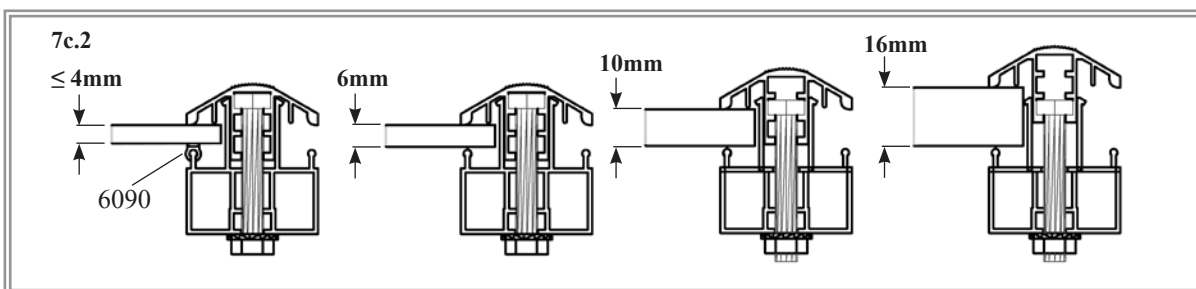
Prepare the bolts 7058 in the glazing cappings as shown (7c.3).

Lay the glazing panes into the aluminium frame.

Position the cappings and loosely connect them with nuts 7053.

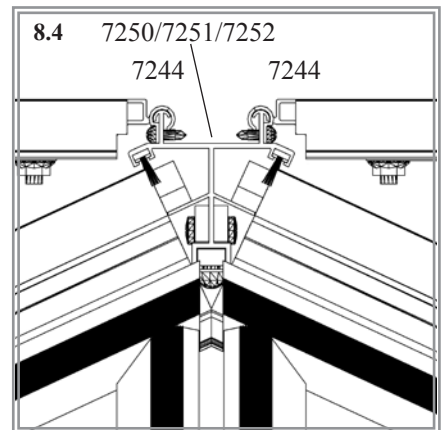
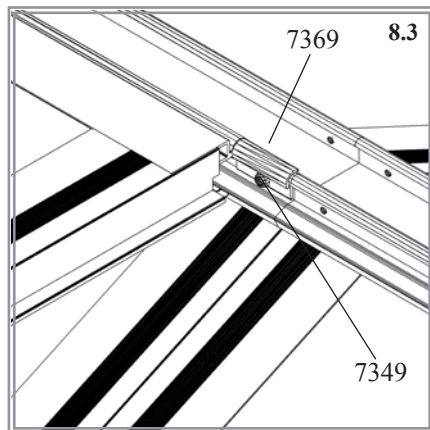
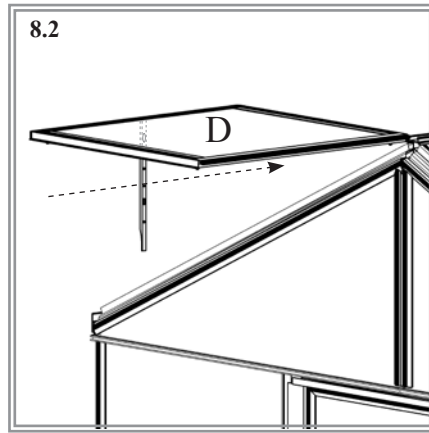
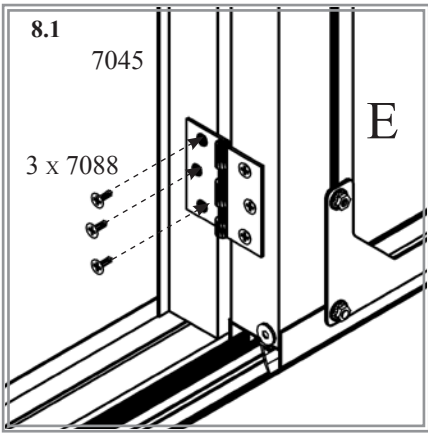
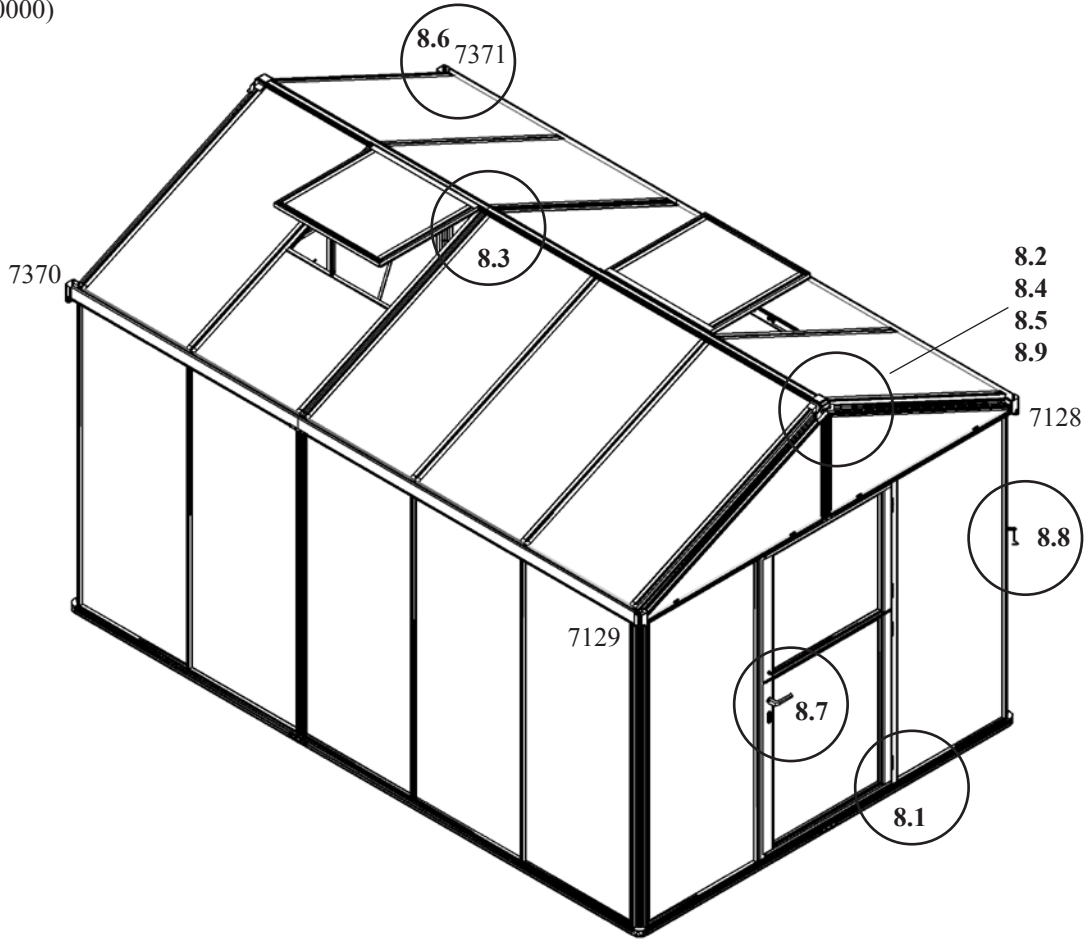
Check that the doors are right angular before tightening all bolts. **Please do not over tighten.**

# Glazing Door



VM0009-Z2

(10000)



Model					
6200	8100	10000	11900	13800	15700
7053					
1x	1x	1x	1x	1x	1x
7088					
16x	16x	16x	16x	16x	16x
7111					
1x	1x	1x	1x	1x	1x
7112					
1x	1x	1x	1x	1x	1x
7113					
1x	1x	1x	1x	1x	1x
7128					
1x	1x	1x	1x	1x	1x
7129					
1x	1x	1x	1x	1x	1x
7266					
2x	2x	2x	2x	2x	2x
7349					
4x	4x	4x	6x	6x	6x
7369					
4x	4x	4x	6x	6x	6x
7370					
1x	1x	1x	1x	1x	1x
7371					
1x	1x	1x	1x	1x	1x
7399					
1x	1x	1x	1x	1x	1x

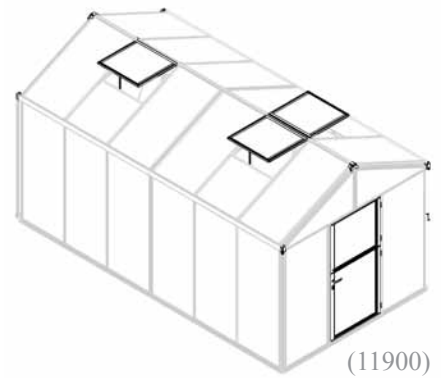
VM0009-Z2



# FINISHING

## PLEASE NOTE ...

**Check that the greenhouse is completely right angular and all nuts tight. Please do not over tighten. This should be repeated after 14 days.**



Connect the doors, completed in step 6, to door support 7045 using the prepared holes and screws 7088 (8.1).

Slide the roof vent into the correct section from one end of the house (8.2). Attach the roof vent fixer 7369 using the prepared holes and self drilling screw 7349 on both sides of the roof vent (8.3) (8.4).

Slide ridge end cap 7266 onto both ends. Fix in place using 2 self drilling screws 7088 (8.5).

Slide eave plastics 7128, 7129, 7370 and 7371 into the eave bars 7213, 7214 or 7215 (8.6).

*It can help to pull the eave bar 7213, 7214 or 7215 at the top edge, carefully away from the house so that the opening for the plastic becomes larger.*

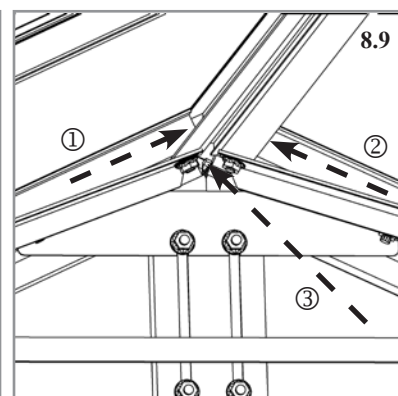
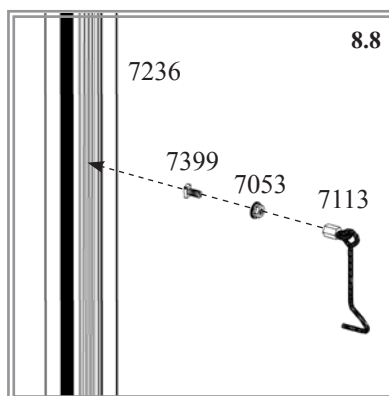
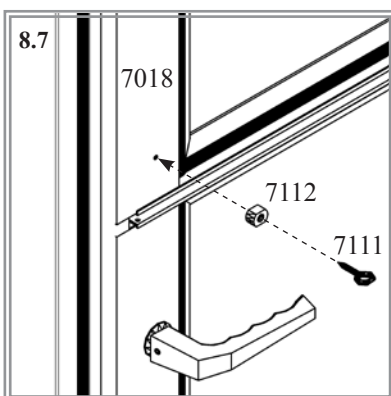
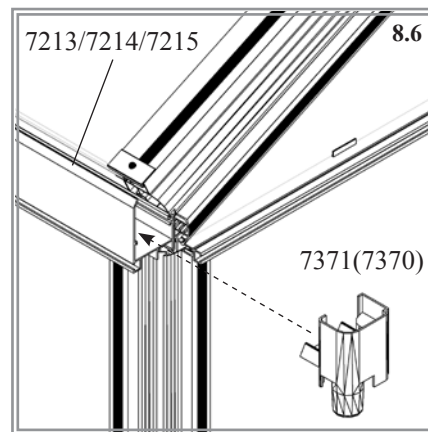
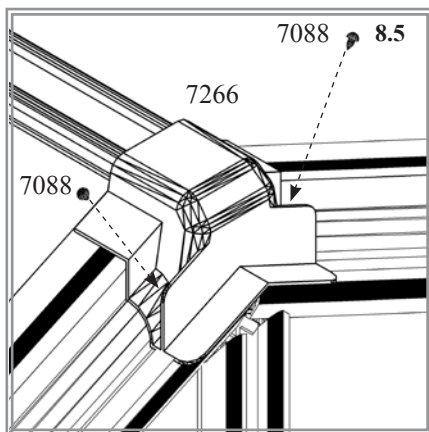
Assemble door holder 7111 using spacer 7112 onto top door side bar 7018 (8.7).

Insert bolt 7399 into the bolt channel in corner bar 7236. Adjust the height to match door holder 7111 and fix in place with nut 7053. Assemble door latch 7113 onto bolt 7399 (8.8).





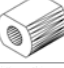



It is recommended to include a bead of neutral silicone along the ridge join from outside and to fill the ridge corners at 3 points from inside (8.9). Neutral silicone is not provided.

Connect sill angles 7095 to the foundation using plugs and bolts (not provided).

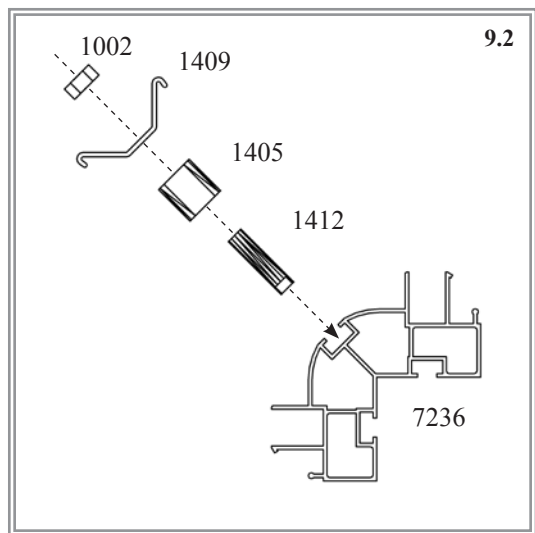
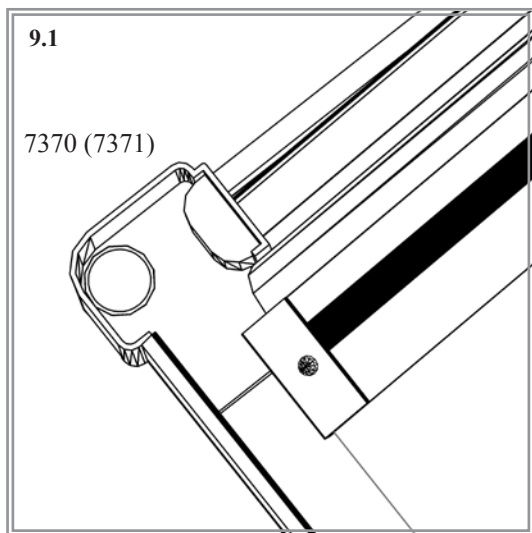
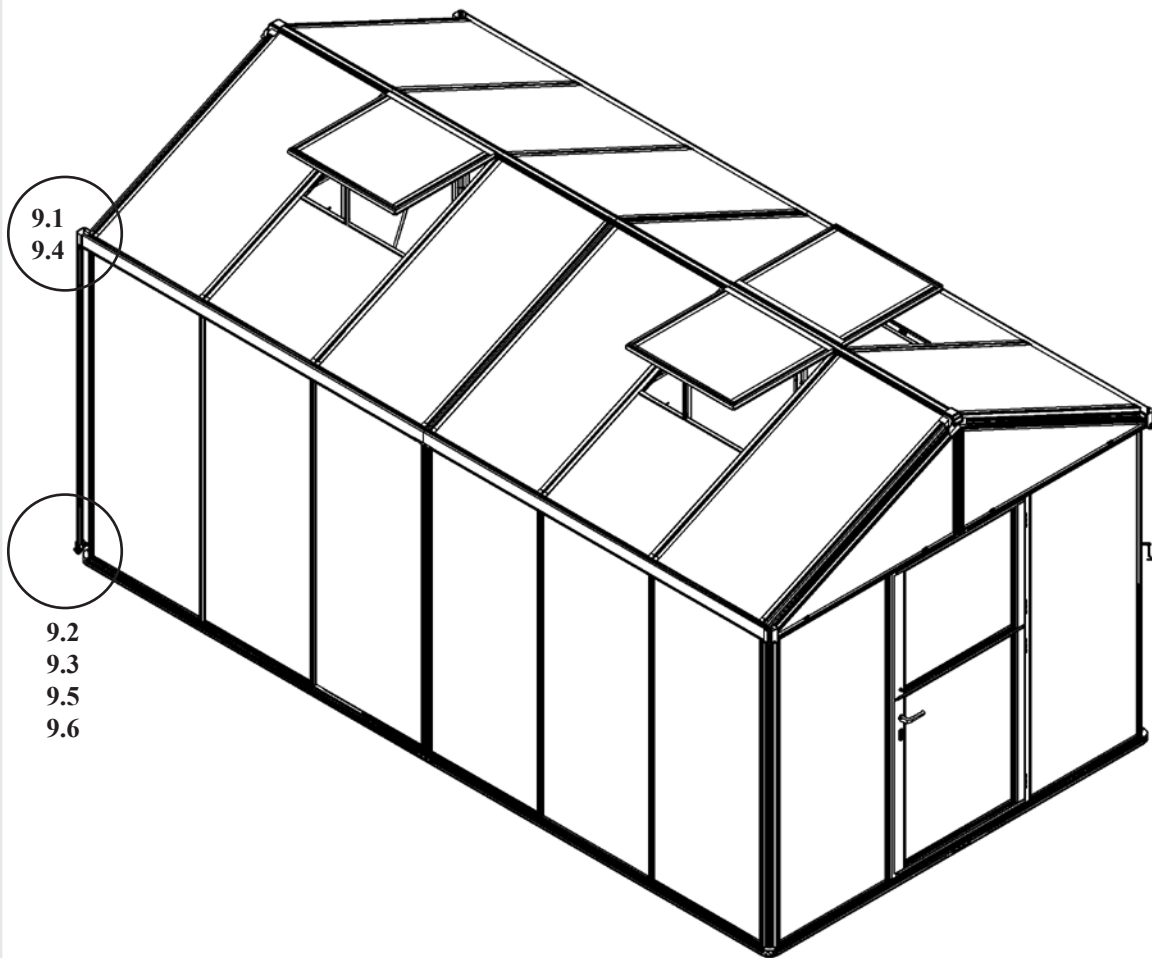
Stick the appropriate model label and warning label inside the house for future reference.



All Models

1002	2x	
1006	2x	
1402	2x	
1403	2x	
1405	2x	
1409	2x	
1412	2x	
1415	2x	

(11900)

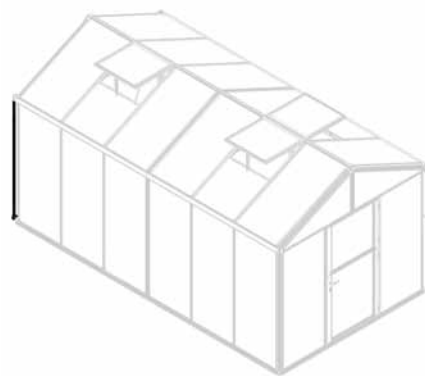


VM0009-Z2

## DOWN PIPES

PLEASE NOTE ...

Please wear protective glasses and gloves.



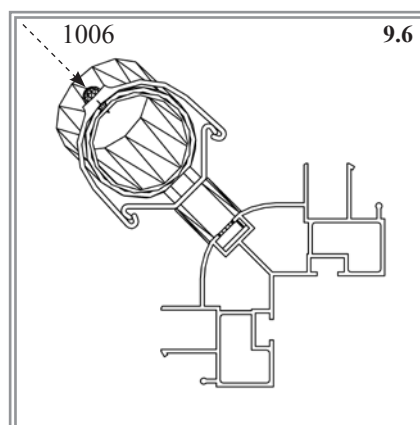
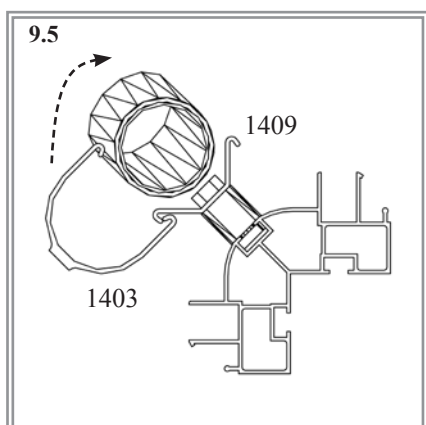
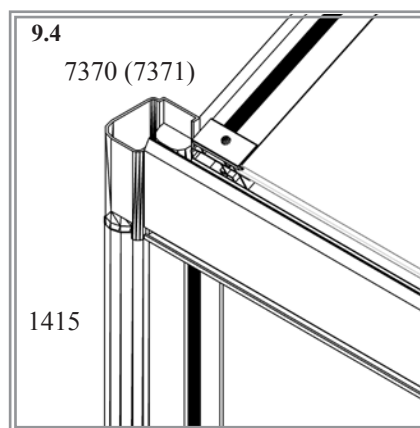
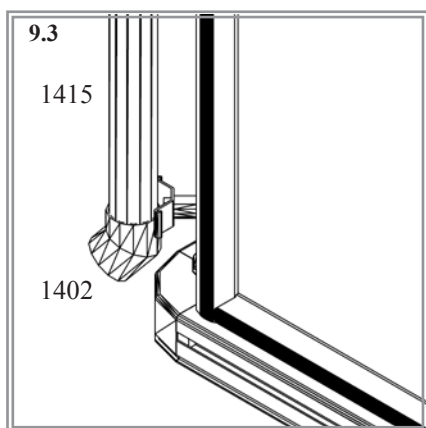
Insert bolt 1412 into the bolt channel at the bottom of corner post 7236 and connect parts 1405 and 1409 with nut 1002 on both sides (9.2).

Fit elbow 1402 onto the bottom of down pipe 1415 (9.3) and then connect this to the eave plastic 7370 or 7371 (9.4).

Fit the down pipe clamp 1403 around the down pipe and connect to 1409 (9.5).

Insert screw 1006 to fix the down pipe in place (9.6).

# Down Pipes



VM0009-Z2



E.P.H. Schmidt u. Co. GmbH  
Hoefkerstrasse 30  
44149 Dortmund  
Postfach 170163  
44060 Dortmund  
Deutschland  
Tel.: +49 231 941655 0  
Fax: +49 231 941655 99  
[www.eph-schmidt.de](http://www.eph-schmidt.de)  
[verkauf@eph-schmidt.de](mailto:verkauf@eph-schmidt.de)

OPJ A/S  
Volderslevvej 36 A  
5260 Odense S  
Danmark  
Tel.: +45 66 15 10 30  
Fax: +45 66 15 00 84  
[www.opj.dk](http://www.opj.dk)  
[opj@opj.dk](mailto:opj@opj.dk)